

# HSN Two Spoke Handwheel

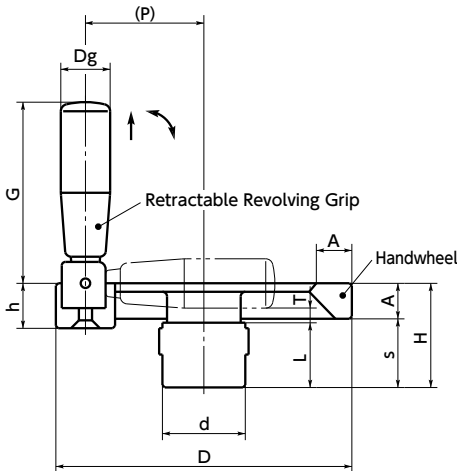
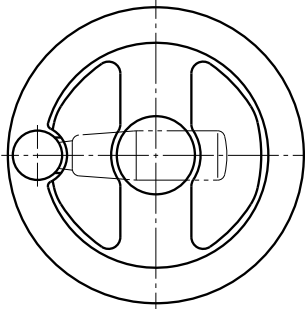


WEB Selection  
Tool

WEB CAD  
Download

with Grip

Shaft bore process required



- Two spoke handwheel with retractable revolving grip.
- The grip is to be pulled up before tilting, so it can hardly be tilted accidentally.
- The handwheel body main body is cast iron, and the grip is phenol resin. This is a strong type that can endure high torque.

### Material/Finish

RoHS Compliant

	HSN
Retractable Revolving Grip	Phenol Resin (Black)
Handwheel	FC200 Electrostatic Coating (Black)

Unit : mm

Part Number	D	H	A	s	h	d	L	T	Dg	G	P	Number of spokes	Mass (g)
<b>HSN-125</b>	125	44	15	29	19	35	30	2.5	23	76.5	50	2	850
<b>HSN-160</b>	160	52	16	36	21.5	40	35	2.5	23	74	67	2	1300
<b>HSN-200</b>	200	56	17	39	18.5	48	40	2.5	26	91.5	87	2	2060
<b>HSN-250</b>	250	62	19	43	25.5	52	40	2.5	26	85	112	2	2960
<b>HSN-315</b>	315	66	21	45	24.5	63	45	2.5	26	86	144	2	4770

### Part number specification

**HSN - 125**

Product Code



Cleanroom Wash & Packaging → P.792

Vibration Resistant → P.795

Laser Marking → P.806

Modification of Shaft Hole Diameter → P.800

Not Available

Not Available

Available / Add'l charge

Available / Add'l charge