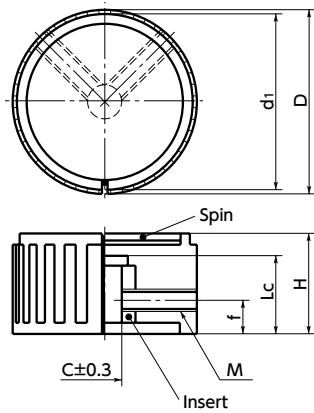


# EAE Spin Knob


[WEB Selection Tool](#)
[WEB CAD Download](#)


## ● Material/Finish

RoHS Compliant

	EAE
Knob	Phenol Resin (Black)
Spin	Aluminum Alloy (Silver)
Insert	Brass

Part Number	D	d1	H	f	M (Coarse)	C	Lc	Mass (g)
<b>EAE-11</b>	11.1	10.7	12	5	1 - M3	3.3	11	4
<b>EAE-22</b>	21.8	21.5	14.1	5.5	2 - M4	6.1	11.8	10
<b>EAE-33</b>	32.8	31.8	18	6	2 - M4	6.1	14	20

Unit : mm

- Hex socket set screw is provided.

## ● Part number specification

### EAE-11



Cleanroom Wash & Packaging → P.792	Screw Combination → P.798	Screw Length Adjustment → P.796	Vibration Resistant → P.795	Laser Marking → P.806
Not Available	Not Available	Not Available	Not Available	Available / Add'l charge