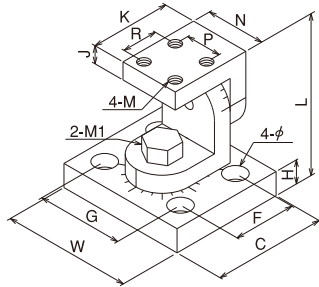


# Turn stage

rotatable stage , with flexible inclination  $\pm 90^\circ$

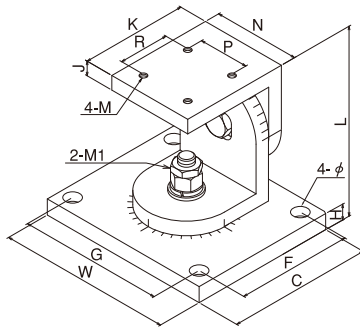
## Type I



1.  $10^\circ$  step scale
2. 3 small types available depends on space

Part No.	stage face	screw pitch for attachment	fixed base	bolt hole for fixture		hexagon screw	total height	plate thickness		Withstand load N	
	K×N mm	R×P	4-M	W×C	G×F	4-φ spot facing	screw M1	L mm	J		H
MBR15-	24×15	10× 8	3	30×30	21×21	3.5	4	39	5.5	6	30
MBR20-	27×20	12×12		40×33	29×21	4.5	6	42	6.0	8	
MBR30-	40×30	18×18		4	60×40	46×26	5.5	8	60	9.0	

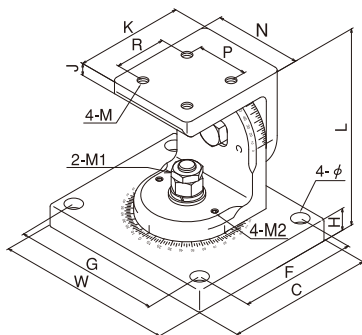
## Type II



1.  $10^\circ$  step scale
2. Hardly miss-positioning with reaming bolt processing
3. W nut specification for locking

Part No.	stage face	screw pitch for attachment	fixed base	bolt hole for fixture		hexagon screw	total height	plate thickness		Withstand load N	
	K×N mm	R×P	4-M	W×C	G×F	4-φ spot facing	screw M1	L mm	J		H
MBR45-	60×45	25×25	5	100× 80	80×60	5.5	8	85	9	10	50
MBR60-	74×60	35×35	6	120×100	100×80	6.5	10	100	10	12	80

## Type III



1.  $2.5^\circ$  step etching scale with number
2. Rabbet for impact load
3. W nut specification for locking
4. Cap screw for tentative hold
5. The screw with handle is sold separately.

Part No.	stage face	screw pitch for attachment	fixed base	bolt hole for fixture		hexagon screw	temporary cap screw	total height	plate thickness		Withstand load N	
	K×N mm	R×P	4-M	W×C	G×F	4-φ spot facing	screw M1	4-M2	L mm	J		H
MBR45-	61×45	25×25	6	100× 80	80×60	6.5	8	4	90	10	15	70
MBR60-	74×60	35×35	8	120×100	100×80		10	5	105	11		120