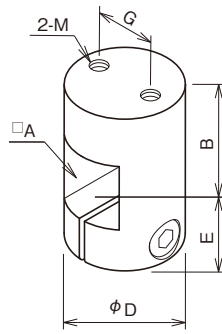


For board or functional device attachment by two screws (right angle against shaft)
SQ-223~8



Rect-screw

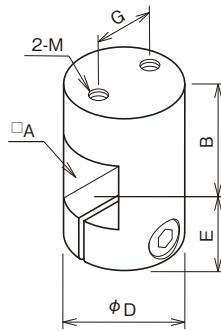


	□ A	φ D	E	B	G	2-M	Cap screw
SQ06-223	□ 6	φ 13	10.5	12	7	M3	M3
SQ08-223	□ 8	φ 15	13.5	15	8	M3	M4
SQ08-224						M4	
SQ09-223	□ 9	φ 19	14.5	16.5	8	M3	M4
SQ09-224						M4	
SQ10-223	□ 10	φ 19	14.5	16.5	8	M3	M4
SQ10-224						M4	
SQ12-223	□ 12	φ 22	15.5	17.5	12	M3	M4
SQ12-224						M4	
SQ13-223	□ 13	φ 22	15.5	17.5	13	M3	M4
SQ13-224						M4	
SQ15-224	□ 15	φ 25	19	21	15	M4	M5
SQ15-225						M5	
SQ16-224	□ 16	φ 25	19	21	15	M4	M5
SQ16-225						M5	
SQ19-225	□ 19	φ 29	21.5	25	15	M5	M5
SQ19-226						M6	
SQ20-225	□ 20	φ 29	21.5	25	15	M5	M5
SQ20-226						M6	
SQ25-226	□ 25	φ 41	25	35	22	M6	M6
SQ25-228						M8	

For board or functional device attachment by two screws (parallel with shaft)
SQ-233~8

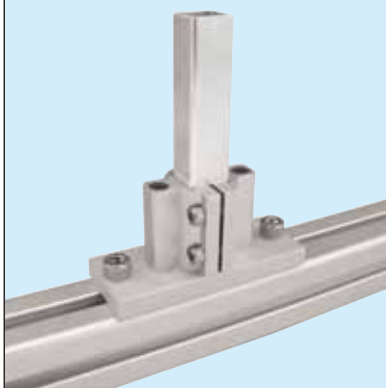


Rect-screw

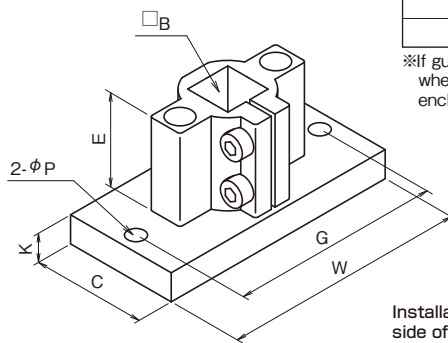


	□ A	φ D	E	B	G	2-M	Cap screw
SQ06-233	□ 6	φ 13	10.5	12	7	M3	M3
SQ08-233	□ 8	φ 15	13.5	15	8	M3	M4
SQ08-234						M4	
SQ09-233	□ 9	φ 19	14.5	16.5	8	M3	M4
SQ09-234						M4	
SQ10-233	□ 10	φ 19	14.5	16.5	8	M3	M4
SQ10-234						M4	
SQ12-233	□ 12	φ 22	15.5	17.5	12	M3	M4
SQ12-234						M4	
SQ13-233	□ 13	φ 22	15.5	17.5	13	M3	M4
SQ13-234						M4	
SQ15-234	□ 15	φ 25	19	21	15	M4	M5
SQ15-235						M5	
SQ16-234	□ 16	φ 25	19	21	15	M4	M5
SQ16-235						M5	
SQ19-235	□ 19	φ 29	21.5	25	15	M5	M5
SQ19-236						M6	
SQ20-235	□ 20	φ 29	21.5	25	15	M5	M5
SQ20-236						M6	
SQ25-236	□ 25	φ 41	25	35	22	M6	M6
SQ25-238						M8	

To fix by screw on aluminum frame
SQ-612



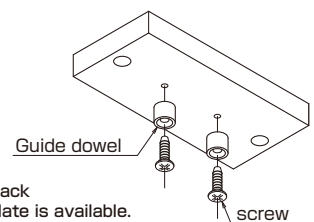
Vertical hole for aluminum frame



Guide dwell following the flute width is available. Two screw holes are tapped in the back of holder plate.

Aluminum plate	φ 6.2	φ 6.3	φ 8.0	φ 8.3	φ 10.0
□ 30	○	○	○	○	○
□ 40			○	○	○

※If guide dwell is needed, please provide the dwell diameter when placing an order. Otherwise, the guide dwell will not be enclosed.



Installation to the back side of the holder plate is available. Example of installation

	□ B	E	C	W	K	G	2-φ P	Cap screw
SQ12-612	□ 12	24	30	70	8	60	φ 5.5	2-M4
SQ16-612	□ 16	32	40	85	10	73	φ 6.5	2-M5
SQ20-612	□ 20	40	40	100	10	85	φ 8.5	2-M5