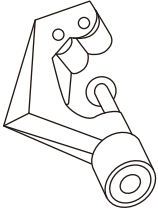
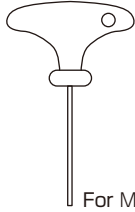
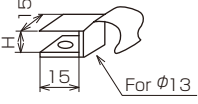
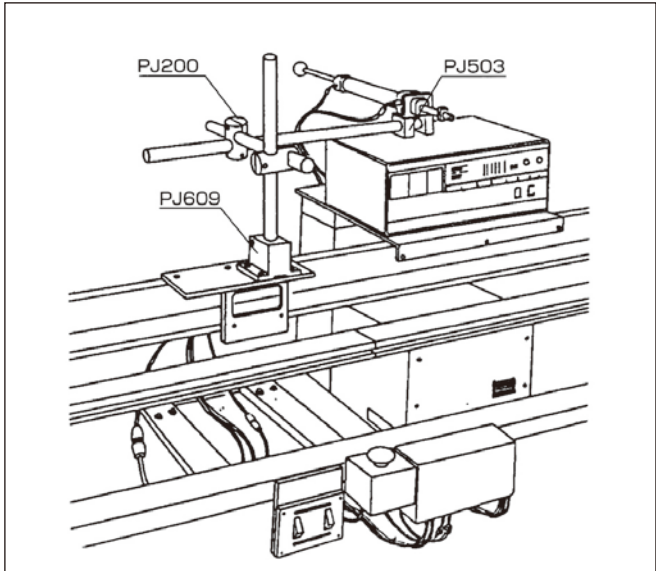


PM900	PM940	Clip for panel stopper								
Dedicated cutter	Wrench with grip	material = steel plate chrome plating 1 bag for 2 parts								
										
		<table border="1"> <thead> <tr> <th>Part No.</th> <th>H</th> </tr> </thead> <tbody> <tr> <td>PM301</td> <td>3</td> </tr> <tr> <td>PM302</td> <td>6</td> </tr> <tr> <td>PM303</td> <td>10</td> </tr> </tbody> </table>	Part No.	H	PM301	3	PM302	6	PM303	10
Part No.	H									
PM301	3									
PM302	6									
PM303	10									

## Applications of PIJON assembling

User-installable frame is available on each line

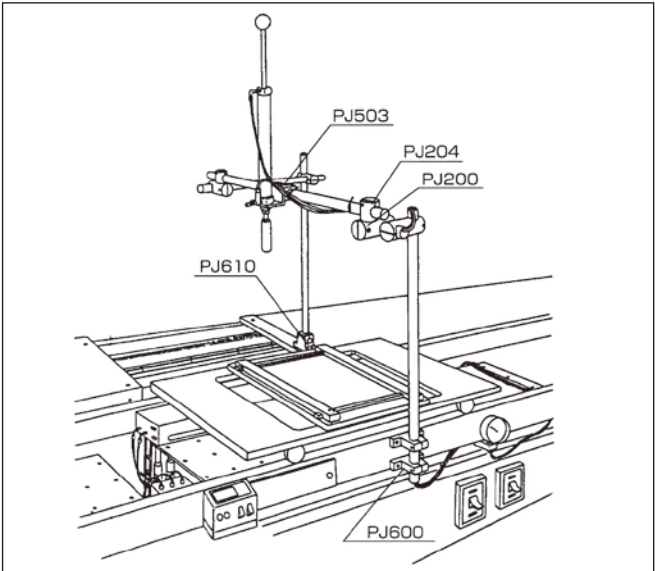
It is flexible with a cantilever fixing.



Installation of air equipment is possible for the assembling line.



A strong fixing is possible with a gate structure.



It is reinforced further due to the scaffold structure.

