

NXO Slide

- NX...Material = S-45C Grinding finish
Surface treatment Combined nitriding treatment Catalytic nickel generation
- OX...Material = STKM-13 Surface treatment combined nitriding treatment

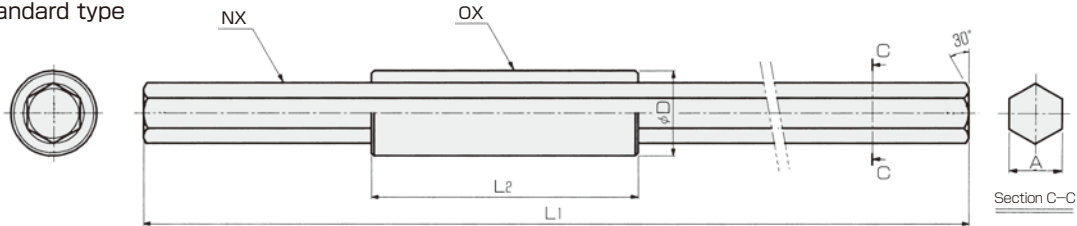
It is a hexagon shaft that can realize following features and applications.

Feature

- It is easy to reproduce a location because a shaft does not rotate.
- It functions for both rotation transmission and sliding movement.
- Both a sleeve and a shaft can be cut at any position.

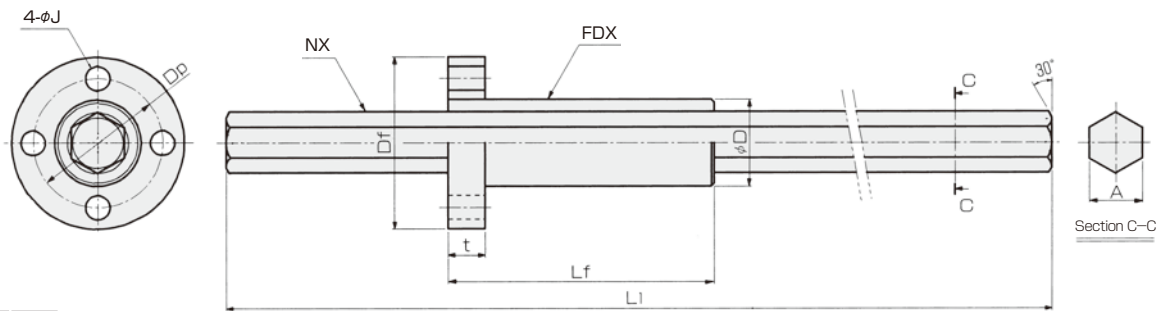
NXO

Standard type



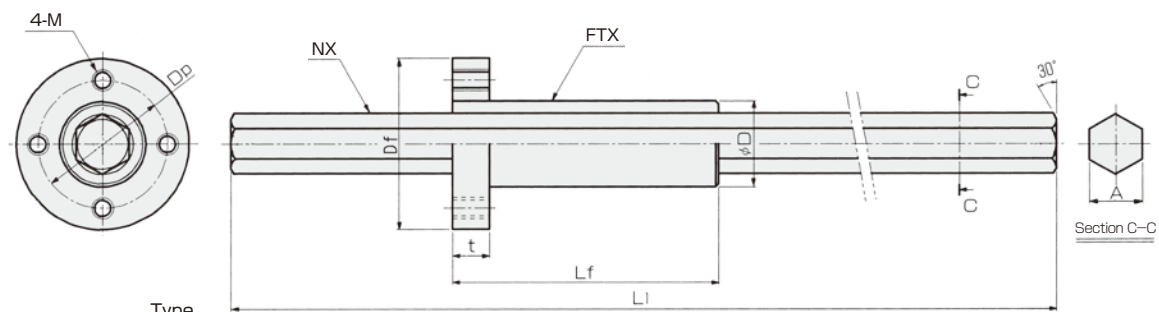
NXFD

Flange type (drill hole)



NXFT

Flange type (tapped hole)



■Dimension Table Example of order NXO-6-200 (in case of slide shaft 200)

Type	NX(Slide shaft)				OX(Sleeve)		FDX•FTX(Sleeve with round flange)							
	L1				A	φD	L2	φD	Lf	Df	t	DP	φJ	M
	200	250	300	500										
Each type- 6	○		○		6.7	11	40	11	40	28	7	20	3.5	M3
Each type- 8	○		○		7.7	13	40	13	40	28	7	22	3.5	M3
Each type-10		○		○	9.8	16	50	16	50	35	7	26	4.5	M4
Each type-12		○		○	11.7	20	60	20	60	42	8	31	4.5	M4
Each type-14			○	○	13.7	23	70	23	70	46	8	35	5.5	M5
Each type-16			○	○	16.7	28	90	28	90	52	10	40	5.5	M5
Each type-18				○	18.7	32	90	32	90	59	10	46	6.5	M6
Each type-20				○	20.7	35	100	35	100	64	10	49	6.5	M6
Each type-22				○	22.6	38	110	38	110	66	10	52	6.5	M6
Each type-25				○	25.6	44	125	44	125	78	10	61	8.5	M8
Each type-30				○	31.6	54	150	54	150	88	10	71	8.5	M8

※A slide shaft with other length (L1) than those above is available as a special order.



Flange type

※Installation example of Miyoshi Block on a sleeve

Application

- As a simple slide shaft
- To transmit rotation and torque with bearings or equivalent in which a shaft is inserted
- As a guide for a sensor that is set up in an assembly line or an inspection line
- As a movable attachment for a machining jig or a work device