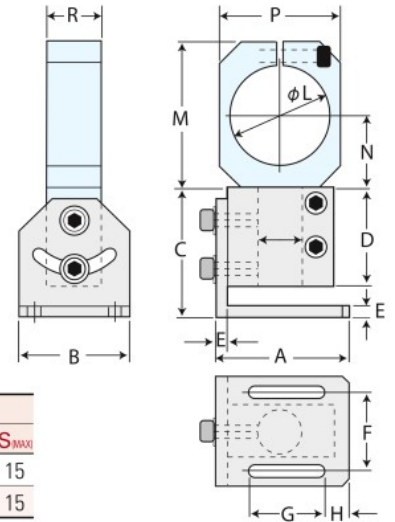
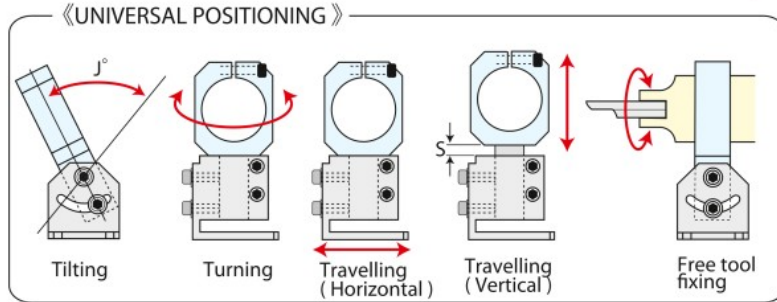


STAND-HOLDER

MACHINE-INSTALLATION

SVM Type

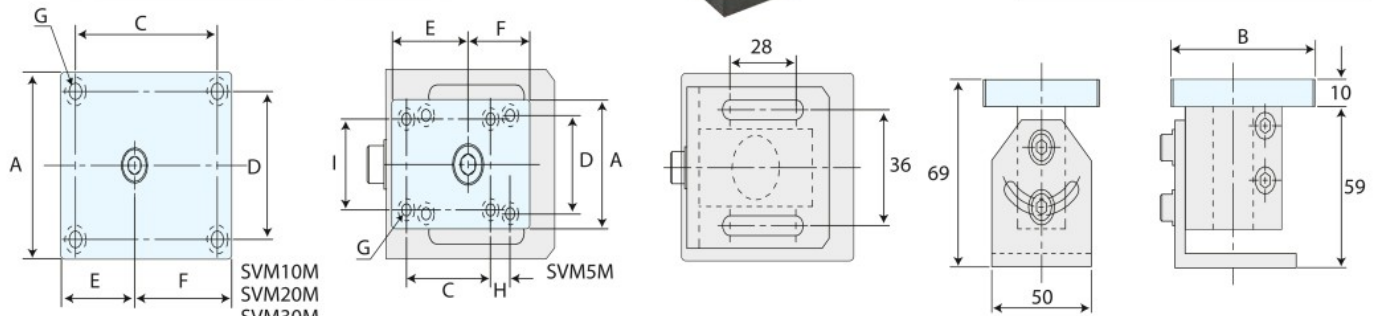


SVM type specification

Model	Weight (g)	Applicable air cutters of round body	Dimensions (mm)															
			A	B	C	D	E	F	G	H	J _{MAXI}	K	L	M	N	P	R	S _{MAXI}
SVM20	325	MR20M series of body $\phi 45$	60	50	59	45	5	36	34	11	90°	20	45.1	67	33	55	24	15
SVM30	367	MR30AM series of body $\phi 56$	60	50	59	45	5	36	34	11	90°	20	56.1	78	38	70	24	15

MACHINE-INSTALLATION

SVM-M Type



SVM-M type specification

Model	Weight (g)	Applicable air cutters of round body	Dimensions (mm)								
			A	B	C	D	E	F	G	H	I
SVM5M	310	MS5, MSP5, MS5G, MSP5G, WS5, AH5, AH5D	34	49	30	26	27	22	8- $\phi 3.3$	12	24
SVM10M	310	MS10, MSP10, MS10G, MSP10G, MS10AG, MSP10AG, MS10V, MSB10, WS10, AM10, AH8, AH8D	38	46	30	28	20	26	4- $\phi 4.3$	-	-
SVM20M	327	MS20, MSP20, MS20G, MSP20G, MS20V, MSB20, WS20, AM20, AH20	47	58	40	36	27	31	4- $\phi 4.3$	-	-
SVM30M	340	MS20, MSP20, MS20G, MSP20G, MS20V, MSB20, WS20, AH30	58	72	60	46	31	41	4- $\phi 5.3$	-	-