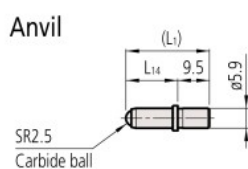
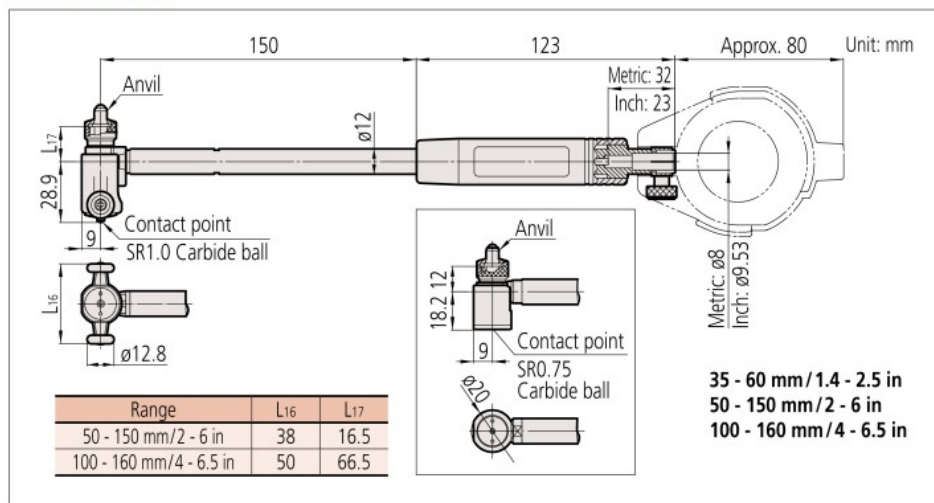


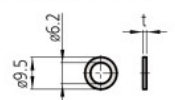
Bore Gages

Bore Gages SERIES 511

DIMENSIONS

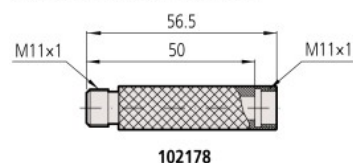


Interchangeable washer



t (mm)	Order No.
0.5	205457
1	205458
2	205459
3	205460

Sub-anvil (Supplied only for 511-703/733)



Note: It is not permissible to use a sub-anvil other than as supplied as a standard accessory, or widen a measuring range by using multiple sub-anvils. (The measurement accuracy in such cases is not guaranteed.)

STANDARD ACCESSORIES

Bore gage (Main body)	Anvil				
	Marked No.	Order No.	Indication of measuring size	L1	L14
511-702 511-732	1	21DZA232A	35 mm / 1.38 in	15	5.5
	2	21DZA232B	40 mm / 1.57 in	20	10.5
	3	21DZA232C	45 mm / 1.77 in	25	15.5
	4	21DZA232D	50 mm / 1.97 in	30	20.5
	5	21DZA232E	55 mm / 2.17 in	35	25.5
	6	21DZA232F	60 mm / 2.36 in	40	30.5
511-703 511-733 () Using 50 mm / 2 in Sub-Anvil	1	21DZA232A	50 mm (100 mm) / 1.97 in (3.94 in)	15	5.5
	2	21DZA232B	55 mm (105 mm) / 2.17 in (4.13 in)	20	10.5
	3	21DZA232C	60 mm (110 mm) / 2.36 in (4.33 in)	25	15.5
	4	21DZA232D	65 mm (115 mm) / 2.55 in (4.53 in)	30	20.5
	5	21DZA232E	70 mm (120 mm) / 2.74 in (4.72 in)	35	25.5
	6	21DZA232F	75 mm (125 mm) / 2.93 in (4.92 in)	40	30.5
	7	21DZA232G	80 mm (130 mm) / 3.12 in (5.12 in)	45	35.5
	8	21DZA232H	85 mm (135 mm) / 3.31 in (5.31 in)	50	40.5
	9	21DZA232J	90 mm (140 mm) / 3.50 in (5.51 in)	55	45.5
	10	21DZA232L	95 mm (145 mm) / 3.69 in (5.71 in)	60	50.5
	11	21DZA232M	100 mm (150 mm) / 3.88 in (5.91 in)	65	55.5
511-704 511-734	1	21DZA232A	100 mm / 3.94 in	15	5.5
	2	21DZA232B	105 mm / 4.13 in	20	10.5
	3	21DZA232C	110 mm / 4.33 in	25	15.5
	4	21DZA232D	115 mm / 4.53 in	30	20.5
	5	21DZA232E	120 mm / 4.72 in	35	25.5
	6	21DZA232F	125 mm / 4.92 in	40	30.5
	7	21DZA232G	130 mm / 5.12 in	45	35.5
	8	21DZA232H	135 mm / 5.31 in	50	40.5
	9	21DZA232J	140 mm / 5.51 in	55	45.5
	10	21DZA232L	145 mm / 5.71 in	60	50.5
	11	21DZA232M	150 mm / 5.91 in	65	55.5
	12	21DZA232N	155 mm / 6.10 in	70	60.5
	13	21DZA232P	160 mm / 6.30 in	75	65.5