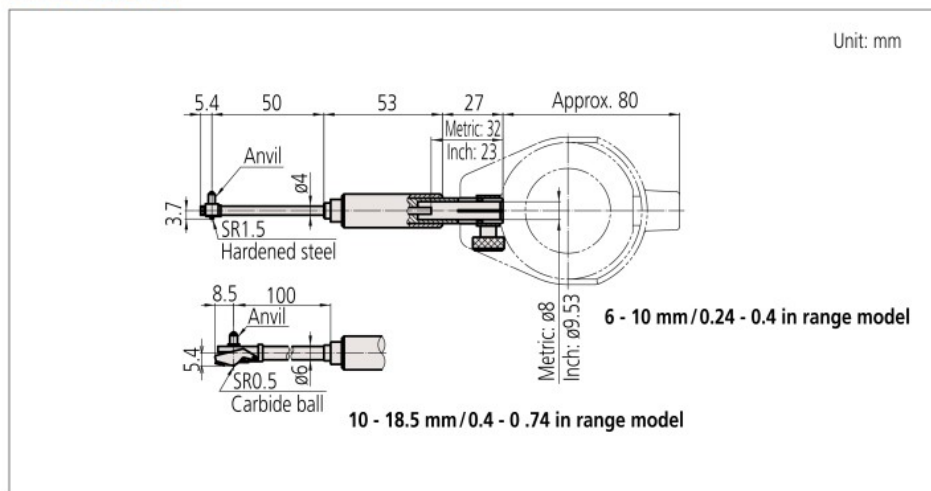
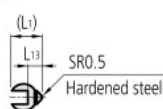


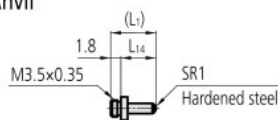
## DIMENSIONS



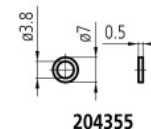
511-209 / 511-214  
Anvil



511-201 / 511-205  
Anvil



Interchangeable washer  
(Supplied only with 511-201 / 511-205)



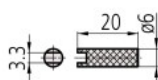
Unit: mm

## STANDARD ACCESSORIES

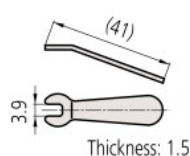
Bore gage (Main body)	Anvil					Interchangeable Washer	Spanner
	Marked No.	Order No.	Indication of measuring size	L <sub>1</sub>	L <sub>13</sub>	Order No.	Order No.
511-209 511-214	1	952168	6.0 mm / 0.24 in	4.7	1.2	Not supplied	206709
	2	952169	6.5 mm / 0.26 in	5.3	1.7		
	3	952170	7.0 mm / 0.28 in	5.8	2.2		
	4	952414	7.5 mm / 0.30 in	6.3	2.7		
	5	952415	8.0 mm / 0.32 in	6.8	3.2		
	6	952416	8.5 mm / 0.34 in	7.3	3.7		
	7	952417	9.0 mm / 0.36 in	7.8	4.2		
	8	952418	9.5 mm / 0.38 in	8.3	4.7		
	9	952419	10.0 mm / 0.40 in	8.8	5.2		

Bore gage (Main body)	Anvil					Interchangeable Washer	Spanner
	Marked No.	Order No.	Indication of measuring size	L <sub>1</sub>	L <sub>14</sub>	Order No.	Order No.
511-201 511-205	1	204356	10 mm / 0.40 in	3.8	2	204355	204354
	2	204357	11 mm / 0.44 in	4.8	3		
	3	204358	12 mm / 0.48 in	5.8	4		
	4	204359	13 mm / 0.52 in	6.8	5		
	5	204360	14 mm / 0.56 in	7.8	6		
	6	204361	15 mm / 0.60 in	8.8	7		
	7	204362	16 mm / 0.64 in	9.8	8		
	8	204363	17 mm / 0.68 in	10.8	9		
	9	204364	18 mm / 0.72 in	11.8	10		

Spanner  
206709



204354



Unit: mm