

Technical Data

- Battery: Lithium Battery
- Battery life: 2,000 hours

Function

- Presetting

Digital Universal Protractor SERIES 187

- Data output function makes it easy to gather statistical data.
- Can be attached to height gages using a gage holder (**950750**, metric)
- Setting preset value.
- Removable blade.



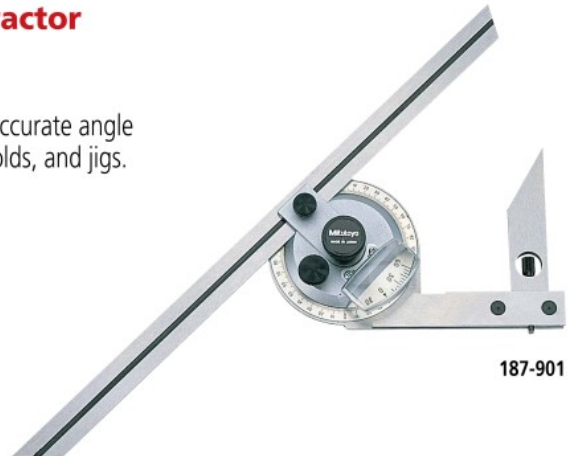
187-501

SPECIFICATIONS

Order No.	Blade length	Range	Resolution	Accuracy	Repeatability	Remarks (standard accessory)
187-501	150 mm	-360° to +360°	1' (0.01°)	±2' (±0.03°)	1'	Height gage holder (950750)
187-502	300 mm					Height gage holder (950750)
187-551	6 in					Height gage holder (950749)
187-552	12 in					Height gage holder (950749)

Universal Bevel Protractor SERIES 187

- High-precision instrument for accurate angle measurement on machines, molds, and jigs.
- Graduation: 5'



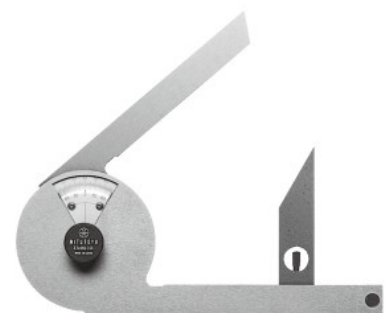
187-901

SPECIFICATIONS

Metric			Inch		
Order No.	Blade length (mm)	Remarks	Order No.	Blade length (in)	Remarks
187-901	150, 300	w/60°, 45°, 30° edges	187-902	6, 12	w/60°, 45°, 30° edges
187-907	150	w/60°, 45° edges	187-904	6	w/60°, 45° edges
187-908	300	w/60°, 45° edges	187-906	12	w/60°, 45° edges

Bevel Protractor SERIES 187

- Consists of three sheets of stainless steel, the middle one of which is made for angle measurements.



187-201

SPECIFICATIONS

Order No.	Blade length (mm)	Range	Graduation	Blade edge angle	Mass (g)	Remarks
187-201	137	90°x4 (360°)	5' (0° to 90° to 0°)	30° and 60°	260	w/60°, 30° edges