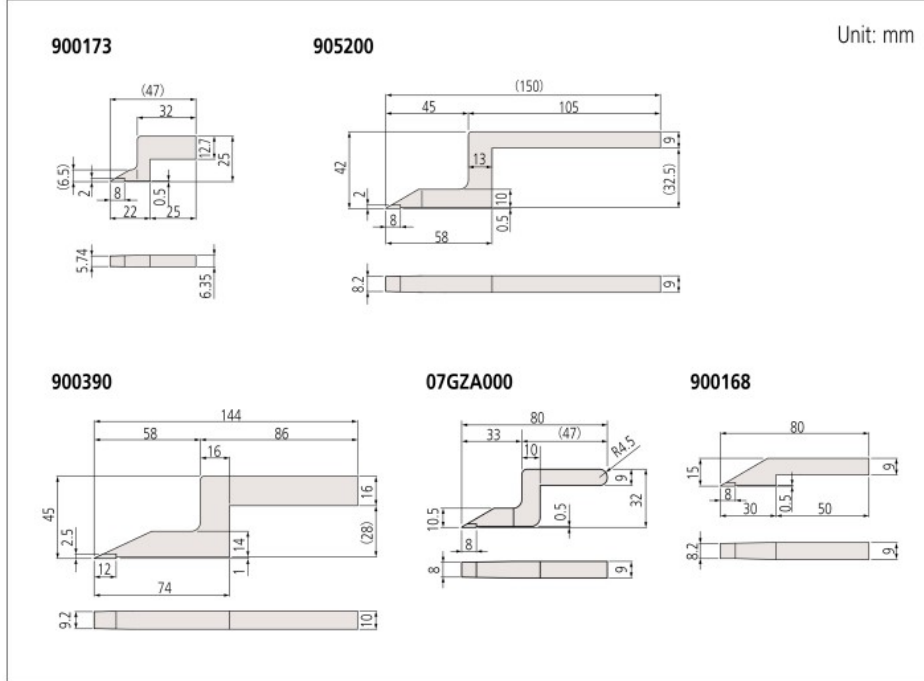


# Height Gage

## Height Gage Optional accessories for height gages

### Scriber DIMENSIONS



## SPECIFICATIONS

### Metric

Order No.	Applicable Height Gages
07GZA000	192 Series Digimatic Height Gages (192-613-10, 192-614-10, 192-615-10)
	570 Series Digimatic Height Gages (570-302, 570-304)
	192 Series Dial Height Gages (192-130, 192-131, 192-132, 192-133)
	514 Series Vernier Height Gages (514-102, 514-104, 514-106, 514-103, 514-105, 514-107)
	574 Series Heightmatic (574-112-1, 574-111-1, 574-110-1)
900168	570 Series Digimatic Height Gages (570-402/404)
900168	514 Series Vernier Height Gages (514-160/172)
	192 Series Digimatic Height Gages (192-663-10, 192-664-10, 192-665-10)
905200	570 Series Digimatic Height Gage (570-230)
	514 Series Vernier Height Gages (514-108, 514-109)
900390	514 Series Vernier Height Gage (514-170)

### Inch

Order No.	Applicable Height Gages
900173	570 Series Digimatic Height Gages (570-227, 570-244)
	506 Series Vernier Height Gages (506-201/207/204, 506-208)
900258	192 Series Digimatic Height Gages (192-630-10, 192-631-10, 192-632-10, 192-633-10)
	570 Series Digimatic Height Gages (570-412, 570-413, 570-414)
	574 Series Heightmatic (574-212-1, 574-211-1, 574-210-1)
905201	192 Series Digimatic Height Gages (192-670-10, 192-671-10, 192-672-10, 192-673-10)
	570 Series Digimatic Height Gage (570-248)