

Comparator Stands

SERIES 215

FEATURES

- Comparator Stands have a stable, cast-iron base which enables precise measurement.
- The partially serrated anvil prevents flat workpieces from wringing to it and the 2.3µm flatness (or better) promotes accurate measurement.
- The **215-505-10** model has a threaded column which enables easy and precise coarse adjustment.
- Serrated anvils 110x110mm are supplied with **215-405-10**, and 150x150mm with **215-505-10** models.

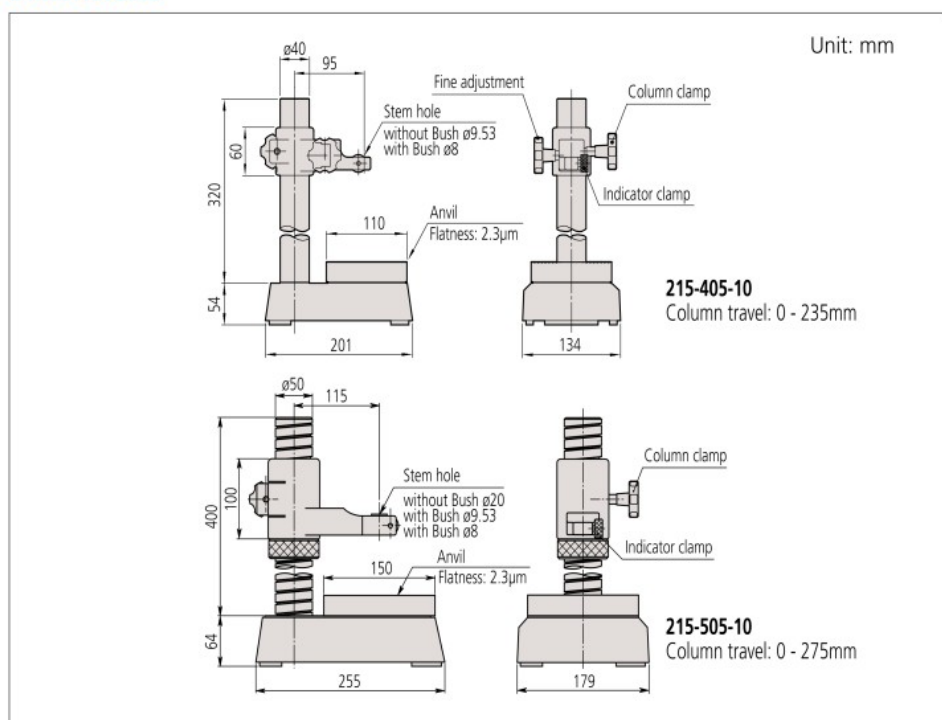


SPECIFICATIONS

Order No.	Square anvil size (W x D)	Column travel	Stem hole	Remarks
215-405-10	110 x 110mm	235mm	ø8mm, ø9.53mm	With fine adjustment of 1mm range
215-505-10	150 x 150mm	275mm	ø8mm, ø9.53mm, ø20mm	With fine adjustment over the entire travel

* Perpendicularity of the mounting hole to the anvil: less than 0.4mm/100mm

DIMENSIONS



Application example using Digimatic Indicator ID-H.

Optional Accessories

- 21JAA329:** ø8mm bush*
- 21JAA330:** ø9.53mm (3/8") bush*
- 21JAA331:** ø15mm bush*

* Only available for 215-505-10.