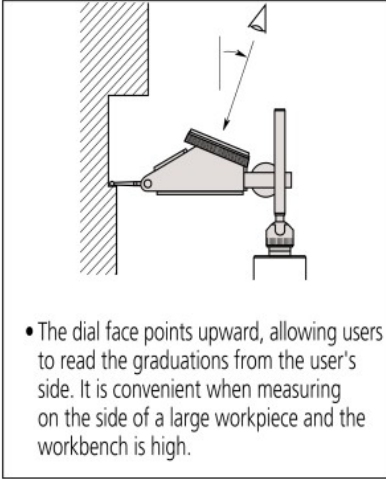


# Dial Test Indicators

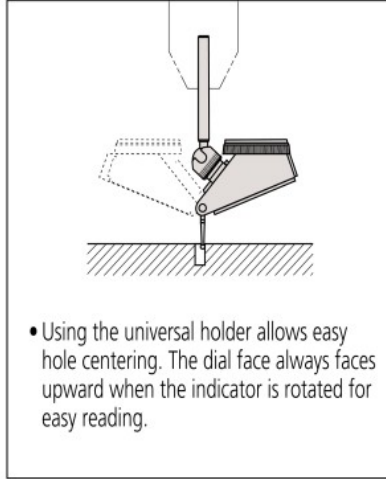
## SERIES 513 — Horizontal (20° Tilted Face), Vertical and Parallel

### FEATURES

- Specially designed for easy viewing of measurements.



- The dial face points upward, allowing users to read the graduations from the user's side. It is convenient when measuring on the side of a large workpiece and the workbench is high.



- Using the universal holder allows easy hole centering. The dial face always faces upward when the indicator is rotated for easy reading.



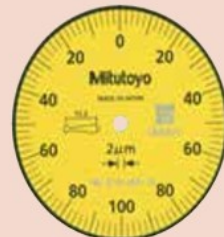
513-444-10E



513-445-10E



513-454-10E  
513-484-10E



513-455-10E



513-452-10E



513-482-10A



513-444-10E



513-455-10E



513-484-10E



513-442-10A



513-446-10A

### Optional Accessories

- : Swivel clamp
- : Holding bar
- : Stem
- : Contact points