



Dial Indicators

SERIES 2 — Standard One Revolution Type for Error-free Reading

FEATURES

- Unique shock-proof mechanism provides improved immunity to shock due to sudden spindle retraction caused by high impact.
- The crystal is hard coated for durability and scratch resistance.
- Approximately 40% lighter than conventional dial indicator.
- Improved resistance to shop-floor contaminants such as water and dust.
- Due to the spindle bushing being offset from the stem, spindle movement will not be hindered or jammed when clamping along the stem.
- A pair of limit hands are provided for quick and easy tolerance judgment (go/no-go).



One revolution type.



29095-62



2978TB

SPECIFICATIONS

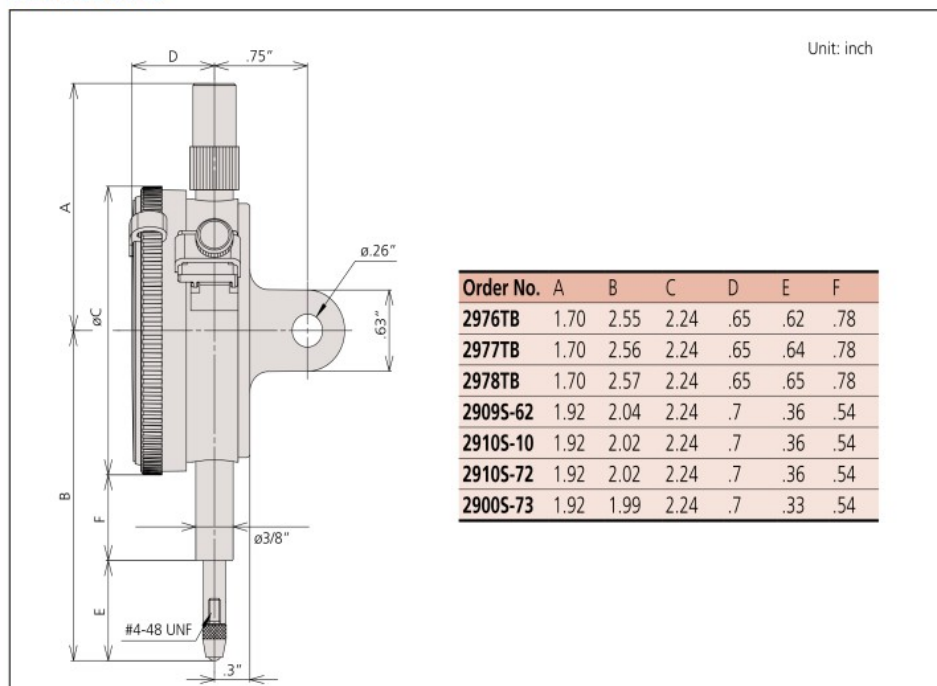
Inch		Stem 3/8" dia., #4-48 UNF Thread		ANSI/AGD type						
Graduation	Range	Range/full stroke	Dial reading	Order No. w/ lug	Order No. Flat-back	Accuracy	Measuring force	ANSI	AGD	Diamond
.0001"	.008"	.01"	4-0-4	29105-10	29105B-10	±.0001"	1.8N or less	✓	✓	✓
.0001"	.008"	.01"	4-0-4	29105-72	29105B-72	±.0001"	2.5N or less	✓	✓	✓
.0005"	.04"	.05"	20-0-20	29095-62	29095B-62	±.0005"	2.5N or less	✓	✓	✓
.0005"	.02"	.028"	10-0-10	—	2976TB*	±.0005"	0.4 - 1.4N	✓	✓	✓
.0005"	.04"	.055"	20-0-20	—	2977TB*	±.0005"	0.4 - 1.4N	✓	✓	✓
.001"	.06"	.079"	30-0-30	—	2978TB*	±.001"	0.4 - 1.4N	✓	✓	✓

*Flat-back type only. (Lug-on-center back is not available.)

Metric		Stem 3/8" dia., #4-48 UNF Thread Yellow Dial Face		ANSI/AGD type						
Graduation	Range	Range/full stroke	Dial reading	Order No. w/ lug	Order No. Flat-back	Accuracy	Measuring force	ANSI	AGD	Diamond
0.001mm	0.08mm	0.1mm	40-0-40	29005-73	29005B-73	±0.003mm	2.0N or less	✓	✓	✓

*Flat-back type only. (Lug-on-center back is not available.)

DIMENSIONS



Optional Accessories

- : Backs (See page F-33.)
- : Contact points (See page F-34.)