

Dial Indicators

SERIES 1



1040S



1013S



1045S



1109S-10



1003T



1044S

Metric

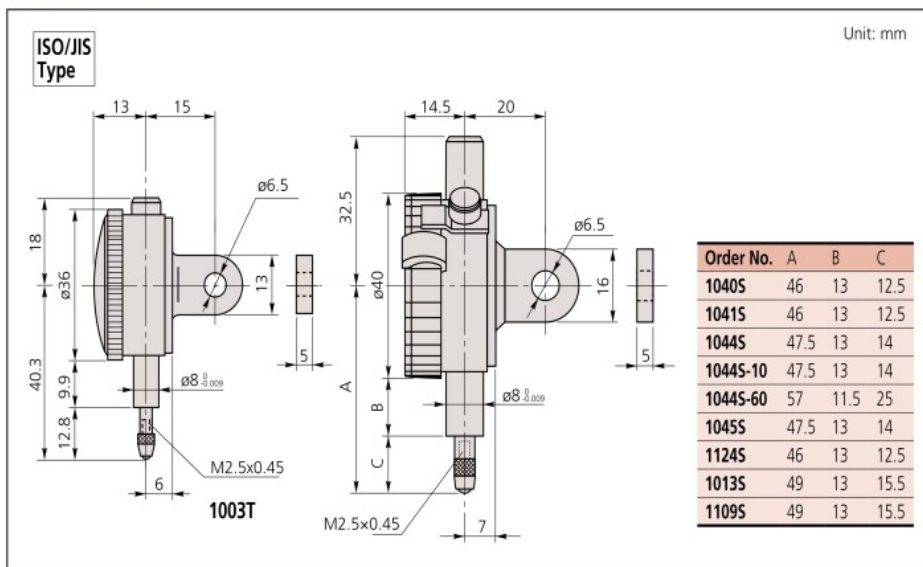
Stem \varnothing 8mm M2.5 X 0.45 Thread

ISO/JIS type

Graduation	Range	Range / Rev	Dial reading	Order No.		Accuracy		Measuring force	Shockproof	Waterproof	Jeweled bearing
				(W/Lug)	(Flat-back)	First 2.5 Rev	Overall Accuracy				
0.001mm	1mm	0.2mm	0-100-0	1109S-10	1109SB-10	± 0.001 mm	± 0.007 mm	1.5N or less	✓		✓
0.002mm	1mm	0.2mm	0-100-0	1013S-10	1013SB-10	± 0.002 mm	± 0.01 mm	1.5N or less	✓		✓
0.005mm	3.5mm	0.5mm	0-50	1124S	1124SB	± 0.005 mm	± 0.013 mm	1.4N or less			✓
0.01mm	3.5mm	0.5mm	0-50	1040S	1040SB	± 0.01 mm	± 0.013 mm	1.5N or less			
0.01mm	3.5mm	0.5mm	0-25-0	1041S	1041SB	± 0.01 mm	± 0.013 mm	1.5N or less			
0.01mm	4mm	1mm	0-50-0	1003T	1003TB	± 0.01 mm	± 0.013 mm	0.3 - 1.4N			
0.01mm	5mm	1mm	0-100	1044S	1044SB	± 0.01 mm	± 0.013 mm	1.5N or less			
0.01mm	5mm	1mm	0-100	1044S-60	1044SB-60	± 0.01 mm	± 0.013 mm	2N or less		✓	
0.01mm	5mm	1mm	0-100	1044S-15	1044SB-15	± 0.01 mm	± 0.013 mm	4N or less	✓		
0.01mm	5mm	1mm	0-50-0	1045S	1045SB	± 0.01 mm	± 0.013 mm	1.4N or less			



DIMENSIONS



Optional Accessories

- : Backs (See page F-33.)
- : Contact points (See page F-34.)