

ABSOLUTE Digimatic Indicator ID-U

SERIES 575 — With Slim and Simple Design

FEATURES

- Slim digital indicator with low price.
- Large LCD and simple key operation.
- After the initial origin setting, the ID-U no longer needs absolute positioning over entire battery life; the origin is remembered even after power-off.
- Ideal for installation into measuring devices because of compact design and long battery life.
- Employing the ABSOLUTE linear encoder, the ID-U always displays the spindle "Absolute Position" from the origin at power-on. Also unlimited response speed eliminates over-speed errors.
- Flat back type only has no option for backs.
- SPC data output.



SPECIFICATIONS

Inch/Metric Stem dia. 3/8", #4-48 UNF Thread ISO/JIS type ANSI/AGD type

| Resolution | Range | Order No. | Model | Accuracy | Measuring force |
|---------------|-------------|----------------|-----------|----------|-----------------|
| .0005"/0.01mm | 1" / 25.4mm | 575-123 | ID-U1025E | .0008" | 1.8N or less |

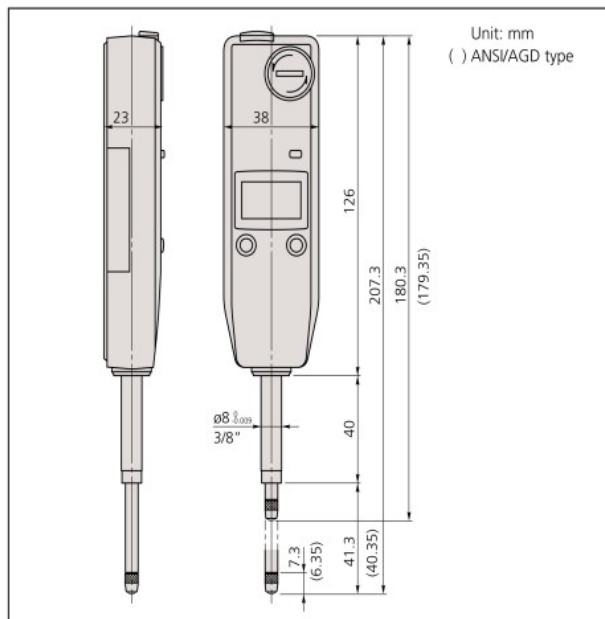
Inch/Metric Stem \varnothing 8mm, M2.5 x 0.45 Thread

| Resolution | Range | Order No. | Model | Accuracy | Measuring force |
|---------------|-------------|----------------|-----------|----------|-----------------|
| .0005"/0.01mm | 1" / 25.4mm | 575-122 | ID-U1025M | .0008" | 1.8N or less |

Metric Stem \varnothing 8mm, M2.5 x 0.45 Thread

| Resolution | Range | Order No. | Model | Accuracy | Measuring force |
|------------|--------|----------------|----------|----------|-----------------|
| 0.01mm | 25.4mm | 575-121 | ID-U1025 | 0.02mm | 1.8N or less |

DIMENSIONS



Technical Data

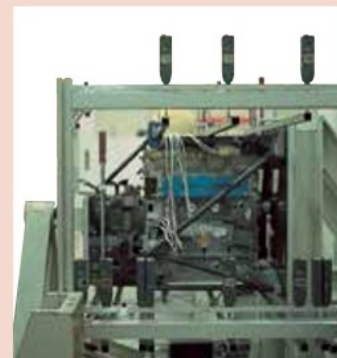
Accuracy: Refer to the list of specifications
 Resolution: 0.01mm or .0005"/0.01mm,
 Display: LCD
 Length standard: ABSOLUTE electrostatic capacitance type linear encoder
 Max. response speed: Unlimited
 Measuring force: Refer to the list of specifications
 Battery: SR44 (1 pc.), **938882**
 Battery life: Approx. 20,000 hours under normal use
 Dust/Water protection level: IP42

Function

Origin-set, Zeroset, Counting direction switching, Power ON/OFF, Data output, inch/mm conversion (on inch/metric models only)
 Alarm: Low voltage, Counting value composition error, Over-flow error

Optional Accessories

- 905338:** SPC cable (40" / 1m)
- 905409:** SPC cable (80" / 2m)
- 540774:** Spindle lifting cable (stroke: 4" / 10mm)
- : Contact points (See page F-34.)



Application example