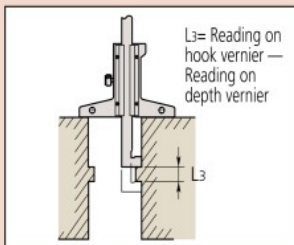
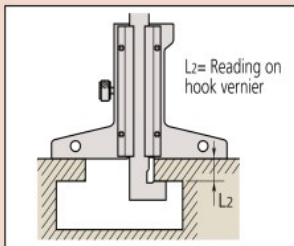
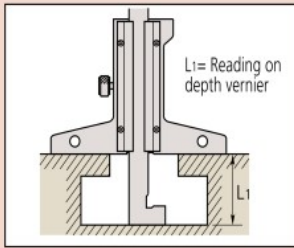


### Technical Data

Graduation: 0.05mm or 0.02mm  
Base size: 100x6.5mm (WxT)

### Optional Accessory

—: Extension base (see page D-56.)



# Vernier Depth Gage

## SERIES 527 — Hook-End Type

### FEATURES

- The end of the main scale is hook-shaped to allow depth and thickness measurements of a projected portion or lip in a hole, in addition to standard depth measurement.
- Fine adjustment models are available.
- Optional wider extension bases are available.



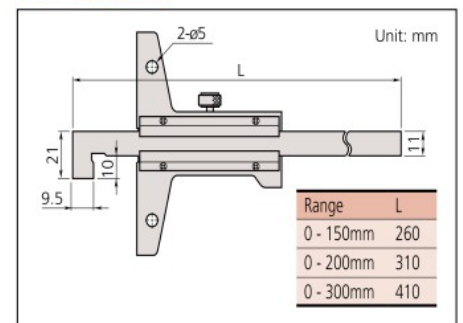
527-401

### SPECIFICATIONS

Metric				
Range	Order No.	Vernier reading	Accuracy	Mass (g)
0 - 150mm	527-401	0.05mm	±0.05mm	240
0 - 200mm	527-402	0.05mm	±0.05mm	240
0 - 300mm	527-403	0.05mm	±0.08mm	270

Metric with fine adjustment				
Range	Order No.	Vernier reading	Accuracy	Mass (g)
0 - 150mm	527-411	0.02mm	±0.03mm	280
0 - 200mm	527-412	0.02mm	±0.03mm	300
0 - 300mm	527-413	0.02mm	±0.04mm	350

### DIMENSIONS



www.tuv.com  
ID 2011207400



### Technical Data

Resolution: .0005"/0.01mm  
Repeatability: .0005"/0.01mm  
Display: LCD  
Length standard: ABSOLUTE electrostatic capacitance (electromagnetic induction)\* type linear encoder  
Max. response speed: Unlimited  
Battery: SR44 (1 pc.), 938882  
Battery life: Approx. 20,000 hours (3 years)\* under normal use  
Dust/Water protection level: IP67

### Function

Origin-set, Zero-setting, Automatic power on/off, Data output, inch/mm conversion (on inch/metric models only)  
Alarm: Low voltage, Counting value composition error

### Optional Accessories

05CZA624: SPC cable with data switch (40" / 1m)  
05CZA625: SPC cable with data switch (80" / 2m)  
—: Extension base (see page D-56.)

# ABSOLUTE Digimatic Depth Gage

## SERIES 571 — Hook-End Type

### FEATURES

- ABSOLUTE Digimatic Depth Gage can keep track of the origin point, once set, for the life of the battery.
- Base and measuring faces are hardened and micro-lapped.
- Optional wider extension bases are available.
- With SPC data output.



571-264-10

### SPECIFICATIONS

Inch/Metric				
Range	Order No.	Resolution	Accuracy	Mass (g)
0 - 6" / 0 - 150mm	571-264-20	.0005" / 0.01mm	±.0015"	578
0 - 8" / 0 - 200mm	571-265-20	.0005" / 0.01mm	±.0015"	598

### DIMENSIONS

