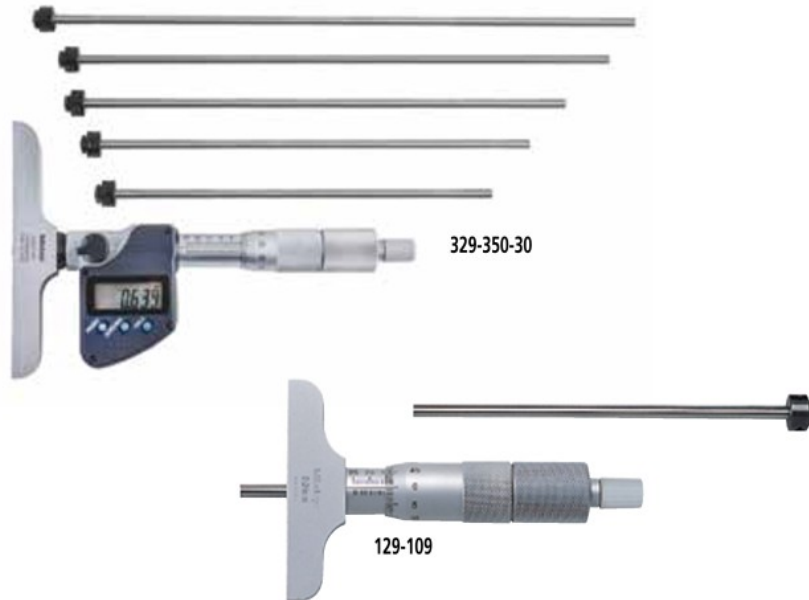


Depth Micrometer

SERIES 329, 129 — Interchangeable Rod Type

FEATURES

- $\varnothing 4$ mm interchangeable rods, with lapped measuring end, provide a wide measuring range.
- The rod length can be adjusted in 1" or 25mm increments.
- With ratchet stop for constant force.
- With measuring rod clamp.
- With SPC output (Series 329).
- Supplied in fitted plastic case.



SPECIFICATIONS

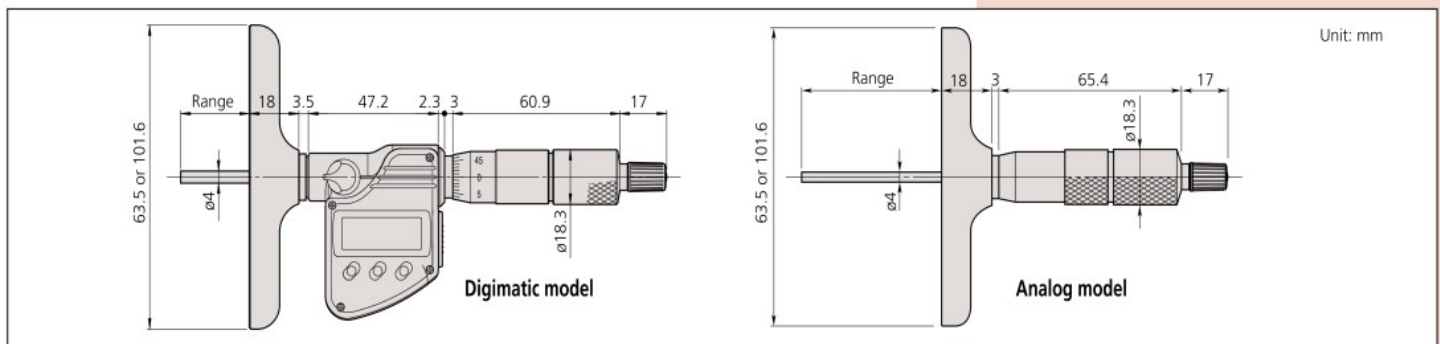
| Metric Digimatic model | | | |
|------------------------|-------------------|------------|----------|
| Range | Order No. | Base Size | Rod Qty. |
| 0 - 150mm | 329-250-30 | 101.6x16mm | 6 rods |
| 0 - 300mm | 329-251-30 | 101.6x16mm | 12 rods |

| Metric | | | |
|-----------|----------------|------------|----------|
| Range | Order No. | Base Size | Rod Qty. |
| 0 - 50mm | 129-109 | 63.5x16mm | 2 rods |
| 0 - 100mm | 129-111 | 63.5x16mm | 4 rods |
| 0 - 100mm | 129-115 | 101.6x16mm | 4 rods |
| 0 - 150mm | 129-112 | 63.5x16mm | 6 rods |
| 0 - 150mm | 129-116 | 101.6x16mm | 6 rods |

| Inch/Metric Digimatic model | | | |
|-----------------------------|-------------------|-----------|----------|
| Range | Order No. | Base Size | Rod Qty. |
| 0 - 6" / 0 - 152.4mm | 329-350-30 | 4"x.63" | 6 rods |
| 0 - 12" / 0 - 304.8mm | 329-351-30 | 4"x.63" | 12 rods |

| Inch | | | |
|---------|----------------|-----------|----------|
| Range | Order No. | Base Size | Rod Qty. |
| 0 - 4" | 129-127 | 2.5"x.63" | 4 rods |
| 0 - 4" | 129-131 | 4"x.63" | 4 rods |
| 0 - 6" | 129-128 | 2.5"x.63" | 6 rods |
| 0 - 6" | 129-132 | 4"x.63" | 6 rods |
| 0 - 12" | 129-149 | 2.5"x.63" | 12 rods |
| 0 - 12" | 129-150 | 4"x.63" | 12 rods |

DIMENSIONS



Technical Data

Accuracy: $\pm 0.0015"/3\mu\text{m}$ for micrometer head feed
 $\pm [0.0008 + (0.0004 \times R/3)]"$
 R = max. measuring length (inch)
 $\pm (2+L/75)\mu\text{m}$ for interchangeable rod,
 L = Max. measuring length (mm)

Resolution*: $.00005"/0.001\text{mm}$ or 0.001mm
 Graduation**: $.001"$ or 0.01mm
 Flatness of reference surface (base):
 $.00005"/1.3\mu\text{m}$ for 2.5"/63.5mm wide base
 $.00008"/2\mu\text{m}$ for 4"/101.6mm wide base
 Flatness of measuring face (rod):
 $.000012"/0.3\mu\text{m}$

Parallelism between reference face and measuring rod face:
 $[0.00016 + (0.0004 \times R/2)]"$
 R = max. measuring range (inch)
 $(4+L/50)\mu\text{m}$
 L = Max. measuring length (mm)

Zero point error of rods:
 $\pm 0.0002"/4\mu\text{m}$ for 0-6"/0-150mm models
 $\pm 0.0003"/6\mu\text{m}$ for 0-12"/0-300mm models

Measuring rod diameter: $.157"/4\text{mm}$
 Display*: LCD
 Battery*: SR44 (1 pc.), **938882**
 Battery life*: Approx. 2.4 years under normal use
 *Digital models **Analog models

Function of Digimatic Model

Origin-set, Zero-setting, Data hold, Data output,
 inch/mm conversion (on inch/metric models only)
 Function Lock, 2 Presets
 Alarm: Low voltage, Counting value composition error

Optional Accessories for Digimatic Model

- 05CZA662**: SPC cable with data switch (40" / 1m)
- 05CZA663**: SPC cable with data switch (80" / 2m)

