

# Dial Height Gage

**SERIES 192 — with Digital Counter**

## FEATURES

- Easy and error-free reading with both up and down digital counters, as well as a dial.
- Provided with a feed wheel for easy coarse feeding.
- Carbide-tipped scriber is provided.
- The counters and dial can be re-zeroed at any scriber position.

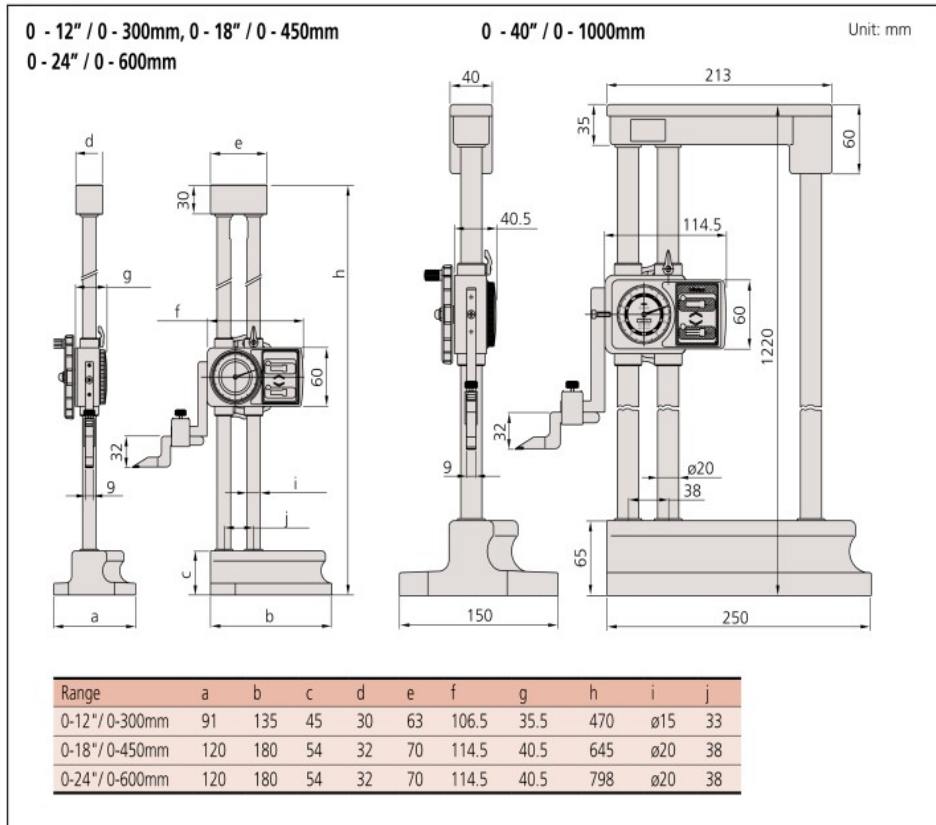
## SPECIFICATIONS

Metric				
Range	Order No.	Accuracy	Graduation	Mass (kg)
0 - 300mm	192-130	±0.03mm	0.01mm	4.2
0 - 450mm	192-131	±0.05mm	0.01mm	9.2
0 - 600mm	192-132	±0.05mm	0.01mm	9.8
0 - 1000mm	192-133	±0.07mm	0.01mm	17.0

Inch				
Range	Order No.	Accuracy	Graduation	Mass (kg)
0 - 12"	192-150	±.0015"	.001"	4.2
0 - 18"	192-151	±.002"	.001"	9.2
0 - 24"	192-152	±.002"	.001"	9.8
0 - 40"	192-153	±.003"	.001"	17.0



## DIMENSIONS



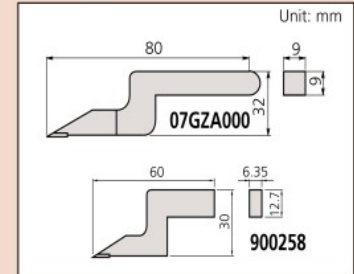
## Technical Data

Dial reading: 0.01mm or .001"

## Standard Scriber Provided

Metric models: Carbide-tipped scriber (07GZA000) and scriber clamp (05GZA033)  
Inch/Metric models: Carbide-tipped scriber (900258) and scriber clamp (901385)

## Dimension of scriber



## Optional Accessories

- 953638: Holding bar for test indicator (length: 50mm)
- 900209: Holding bar for test indicator (length: 100mm)
- 953639: Holding bar for test indicator (length: 2")
- 900306: Holding bar for test indicator (length: 4")
- 900321: Swivel clamp used with holding bar (metric)
- 900322: Swivel clamp used with holding bar (inch)



Comfortable grip base



Easy and secure clamping



Easy and error-free reading