

Digimatic Height Gage

SERIES 192 — Multi-Function Type with SPC Data Output

FEATURES

- Highly versatile multi-function type.
- Carbide-tipped long scriber is provided.
- Rigid construction ensures repeatable measurement.
- Switchable resolution (.0002"/0.005mm or .0005"/0.01mm)
- Coarse/fine feed switching.
- Bi-directional touch-signal probe is an optional accessory. It can quickly and accurately measure steps, inside width and outside width.
- With SPC data output.
- Two preset reference heights.



192-670-10

SPECIFICATIONS

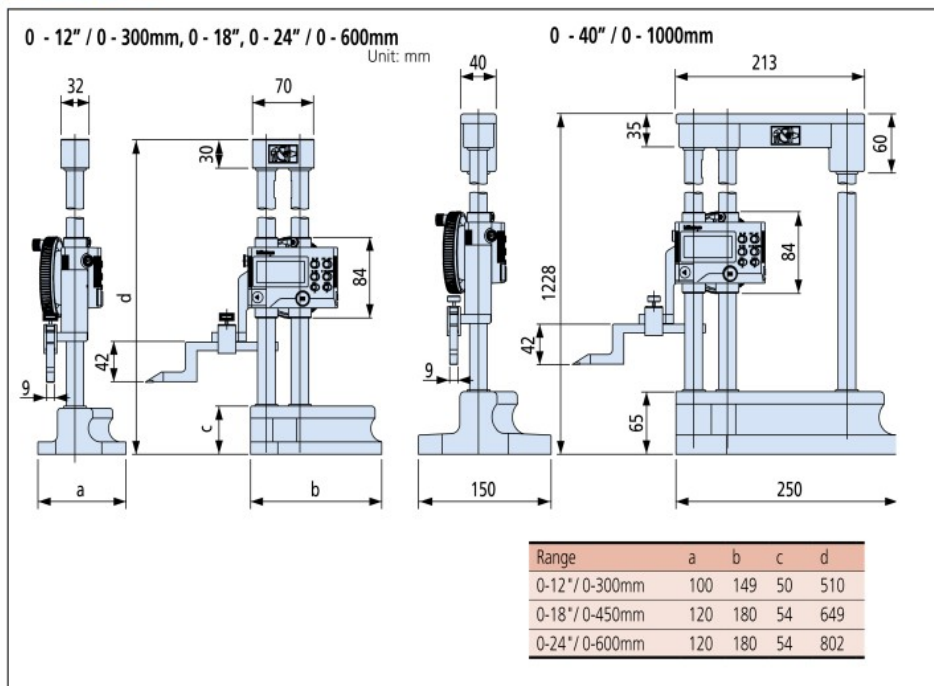
Inch/Metric

Range	Order No.	Accuracy	Resolution	Mass (kg)
0-12"/0-300mm	192-670-10	±001"	.0005" (0.01mm) [.0002" (0.005mm) Switchable]	5.7
0-18"/0-450mm	192-671-10	±0015"	.0005" (0.01mm) [.0002" (0.005mm) Switchable]	7.5
0-24"/0-600mm	192-672-10	±0015"	.0005" (0.01mm) [.0002" (0.005mm) Switchable]	8.3
0-40"/0-1000mm	192-673-10	±0025"	.0005" (0.01mm) [.0002" (0.005mm) Switchable]	15.7

Metric

Range	Order No.	Accuracy	Resolution	Mass (kg)
0-300mm	192-663-10	±0.02mm	Switchable between 0.01mm and 0.005mm	5.7
0-600mm	192-664-10	±0.04mm	Switchable between 0.01mm and 0.005mm	8.3
0-1000mm	192-665-10	±0.06mm	Switchable between 0.01mm and 0.005mm	15.7

DIMENSIONS



Technical Data

Accuracy: Refer to the list of specifications
 Resolution: 0.01+0.005mm or 0.0005" (0.01mm)
 [0.0002" (0.005mm) switchable]
 Display: LCD, 7-digits, character height 11mm
 Max. response speed: 500mm/s
 Battery: SR44 (1 pc.), 938882
 Battery life: Approx. 2000 hours under normal use

Function

Zero-setting, ABS/INC switching, Two presets, Probe tip diameter compensation, +/- switching, Power ON/OFF, Data hold, Data output, inch/mm conversion (on inch/metric models only)
 Alarm: Low voltage, Counting value composition error

Standard Scriber Provided

Metric models: Carbide-tipped scriber (905200) and scriber clamp (05GZA033)
 Inch/Metric models: Carbide-tipped scriber (905201) and scriber clamp (901385)

Optional Accessories

- 905338: SPC cable (40" / 1m)
- 905409: SPC cable (80" / 2m)
- 905691: SPC cable (L-shape, 40" / 1m)
- 905692: SPC cable (L-shape, 80" / 2m)
- 192-007: Bi-directional touch-signal probe (metric)
- 192-008: Bi-directional touch-signal probe (inch)
- 953638: Holding bar for test indicator (length: 50mm)
- 900209: Holding bar for test indicator (length: 100mm)
- 953639: Holding bar for test indicator (length: 2")
- 900306: Holding bar for test indicator (length: 4")
- 900321: Swivel clamp used with holding bar (metric)
- 900322: Swivel clamp used with holding bar (inch)



Shown with optional touch-signal probe

