

# Tubular Inside Micrometers

## SERIES 139 — Extension-Pipe Type

### FEATURES

- Wide range of ID measurements by combining extension pipes and anvils with the micrometer head.
- Supplied in fitted wooden case, except 500 mm / 20" which comes in plastic case.



### Metric — Extension-pipe type

Range	Order No.	Travel of micrometer head	Extension pipes
100 - 125mm	139-001	25mm	Micrometer Head only
100 - 500mm	139-173	25mm	25mm, 50mm, 100mm, 200mm
100 - 900mm	139-174	25mm	25mm, 50mm, 100mm, 200mm, 400mm
100 - 1300mm	139-175	25mm	25mm, 50mm, 100mm, 200mm, 400mm (2 pcs.)
100 - 1700mm	139-176	25mm	25mm, 50mm, 100mm, 200mm, 400mm (3 pcs.)
100 - 2100mm	139-177	25mm	25mm, 50mm, 100mm, 200mm, 400mm (4 pcs.)

### Inch — Extension-pipe type

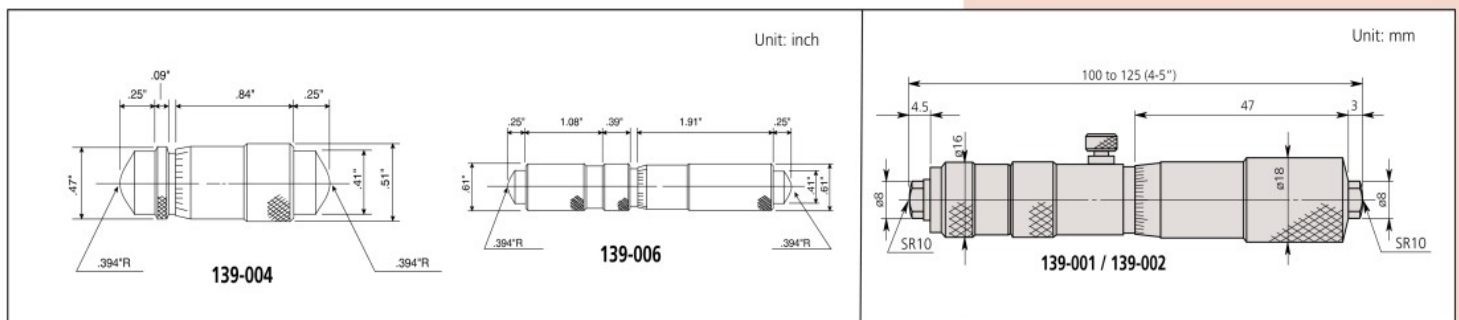
Range	Order No.	Travel of micrometer head	Extension pipes
4" - 5"	139-002	1"	Micrometer Head only
4" - 20"	139-178	1"	1", 2", 4", 8"
4" - 36"	139-179	1"	1", 2", 4", 8", 16"
4" - 52"	139-180	1"	1", 2", 4", 8", 16" (2 pcs.)
4" - 68"	139-181	1"	1", 2", 4", 8", 16" (3 pcs.)
4" - 84"	139-182	1"	1", 2", 4", 8", 16" (4 pcs.)



### Inch — Extension-pipe type

Range	Order No.	Travel of micrometer head	Extension pipes	Remarks
1.5 - 2"	139-004	.5"	Micrometer Head only	—
4 - 5"	139-006	1"	Micrometer Head only	—
1.5 - 12"	139-201	.5"	.5", 1", 2", 2.5", 3", 3.5", 4", 6"	Includes 139-004
4 - 40"	139-202	1"	1", 2", 3", 6", 9", 12", 14", 16", 17", 19"	Includes 139-006

### DIMENSIONS



### Technical Data

Metric Model

Accuracy:

- Series 139:  $\pm(3+n+L/50)\mu\text{m}$   
L=Maximum measuring length (mm)  
n=number of rods  
Fraction rounded up

Inch Model

Accuracy:

- Series 139:  $\pm\{.00015+.00005n+.00005R/2\}''$   
R=Maximum measuring length (inch)  
n=number of rods  
Fraction rounded up

Graduation: 0.01mm or .001"

Measurement error of micrometer head:  $\pm 3\mu\text{m}$

### Optional Accessories

-----: Setting ring (See page C-29.)