

Digimatic Micrometer Heads

SERIES 164

FEATURES

- The display can be rotated up to 330° for easy reading in any position.
- Non-rotating spindle imparts no torque on the workpiece.

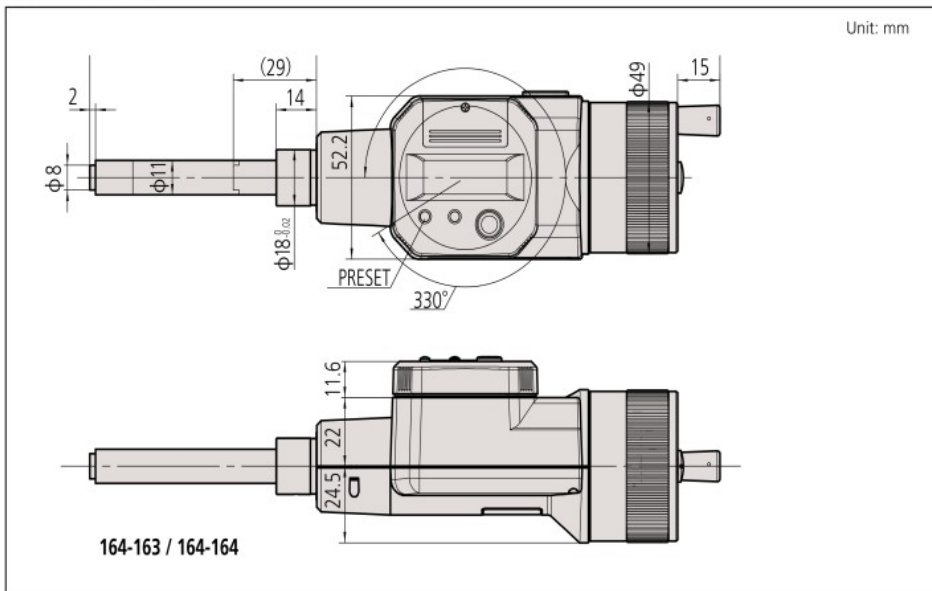


164-164

SPECIFICATIONS

Metric				Inch/Metric			
Range	Order No.	Accuracy	Mass (g)	Range	Order No.	Accuracy	Mass (g)
0 - 50mm	164-163	±3µm	490	0 - 2" / 0 - 50.8mm	164-164	±.00015"	490

DIMENSIONS



Technical Data

Accuracy: Refer to the list of specifications.

Resolution: 0.001mm or .00005"/0.001mm

Display: LCD

Battery: SR44 (2 pcs.), **938882**

Battery life: 1.8 years

Function

Zero-setting, Data hold, Data output, Preset, inch/mm conversion (on inch/metric models only)

Alarm: Low voltage, Counting value composition error

Optional Accessories

959149: SPC cable (1m / 40")

959150: SPC cable (2m / 80")