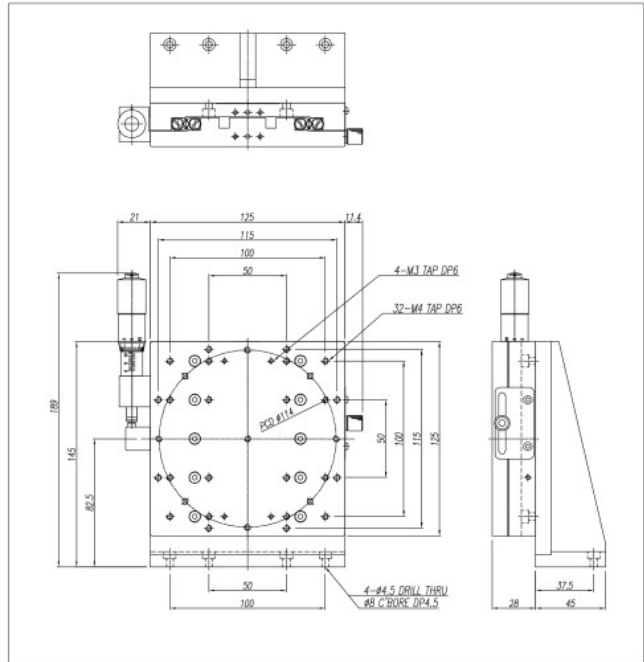


M4-138-L1

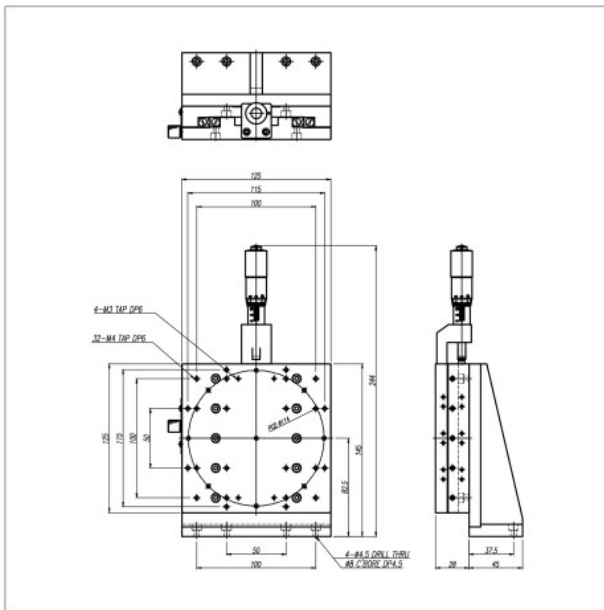


M4-138-R1

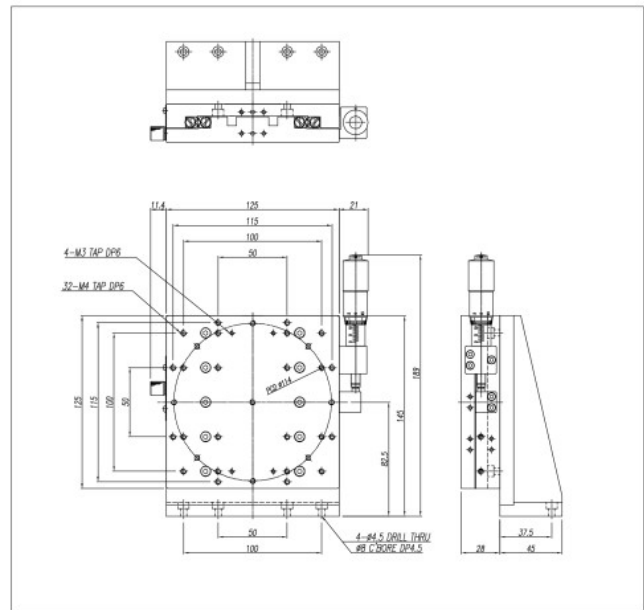
M4-138-C1



M4-138-C1



M4-138-R1



SPECIFICATION	M4-138-L1, R1, C1
Table Dimension(mm)	125×125
Travel Range(mm)	±12.5
Travel Guide	Cross Roller Guide
Readable Resolution(mm)	0.01
Parallelism(mm)	0.03
Running Parallelism(mm)	0.02
Straightness(mm)	0.01
Load Capacity(kg)	3
Material	Aluminum
Weight(kg)	2.3