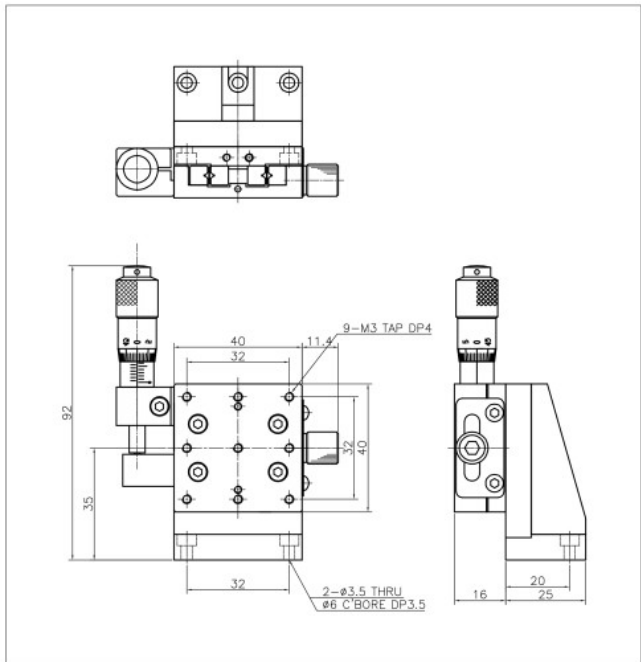


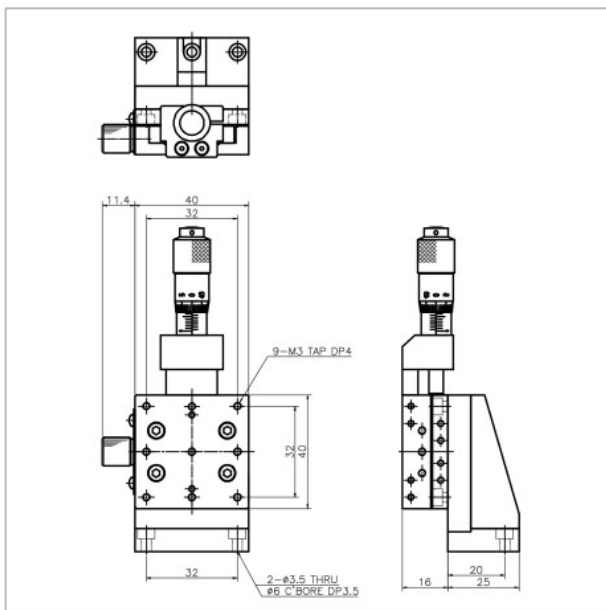
M4-437-L1



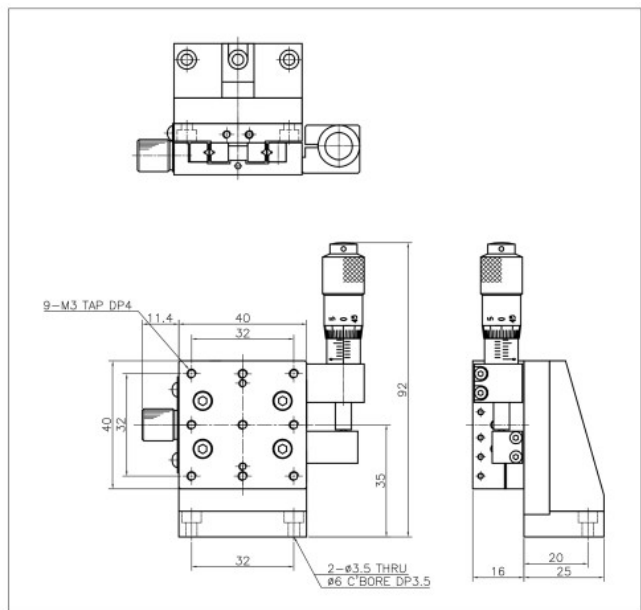
M4-437-R1



M4-437-C1



M4-437-R1



| SPECIFICATION | M4-437-L1, R1, C1 |
|-------------------------|--------------------|
| Table Dimension(mm) | 40×40 |
| Travel Range(mm) | ±6.5 |
| Travel Guide | Cross Roller Guide |
| Readable Resolution(mm) | 0.01 |
| Parallelism(mm) | 0.03 |
| Running Parallelism(mm) | 0.02 |
| Straightness(mm) | 0.003 |
| Load Capacity(kg) | 1 |
| Material | Slim Aluminum |
| Weight(kg) | 0.19 |