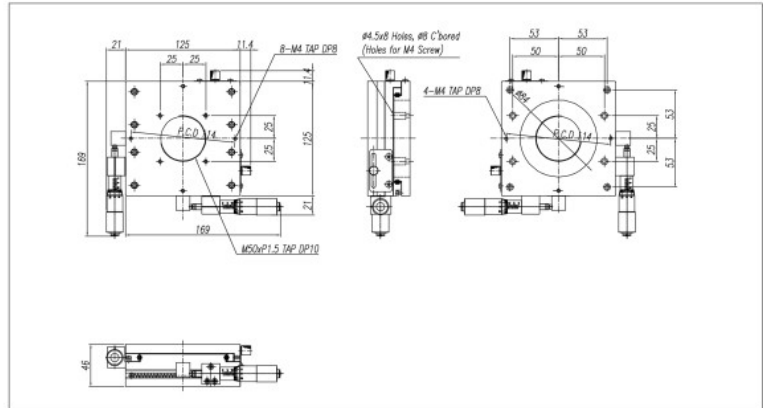
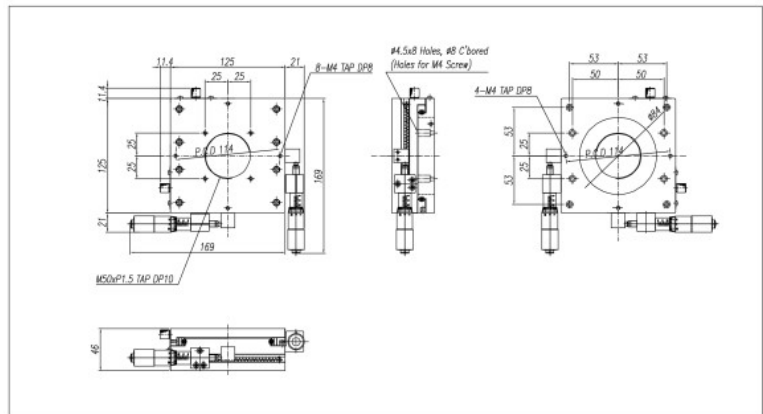


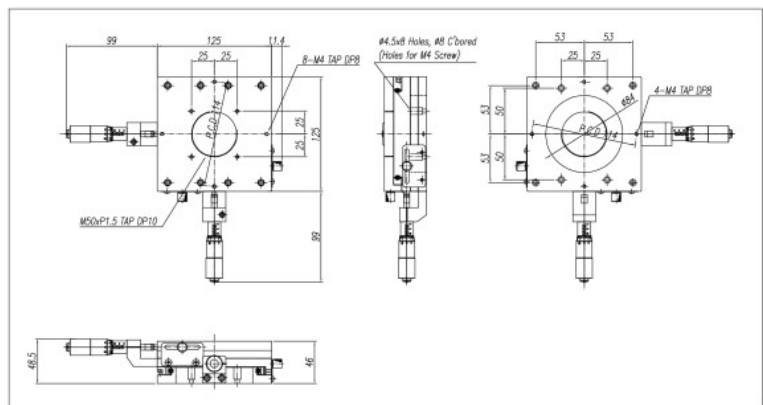
## M2-127-L1



## M2-127-R1



## M2-127-C1



SPECIFICATION	M2-127-L1, R1, C1
Table Dimension(mm)	125×125
Travel Range(mm)	±12.5
Travel Guide	Ball Guide
Readable Resolution(mm)	0.01
Parallelism(mm)	0.05
Running Parallelism(mm)	0.04
Straightness(mm)	0.03
Load Capacity(kg)	6
Material	Slim Aluminum
Weight(kg)	1.7