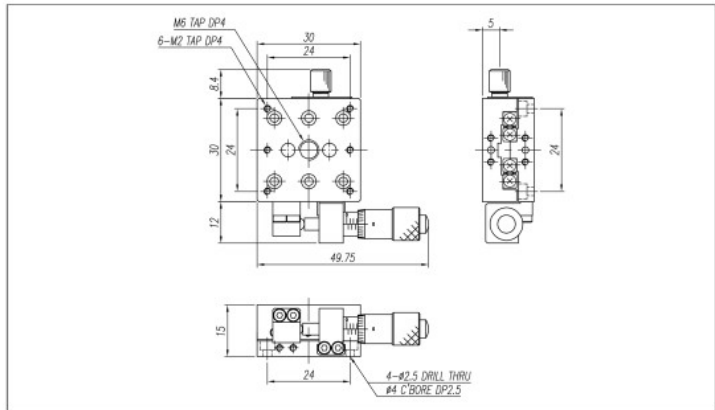




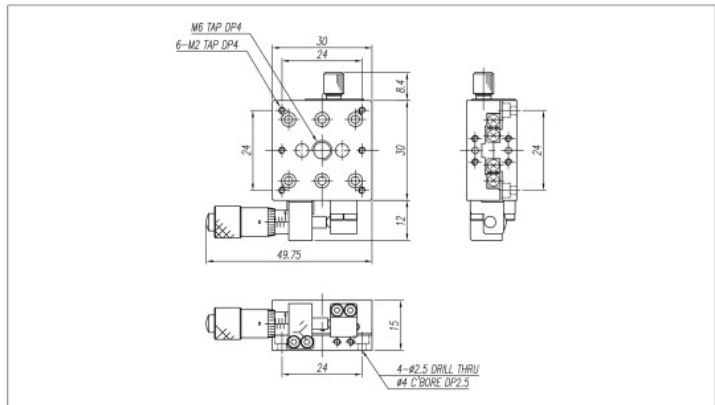
M1-338-L1

M1-338-R1

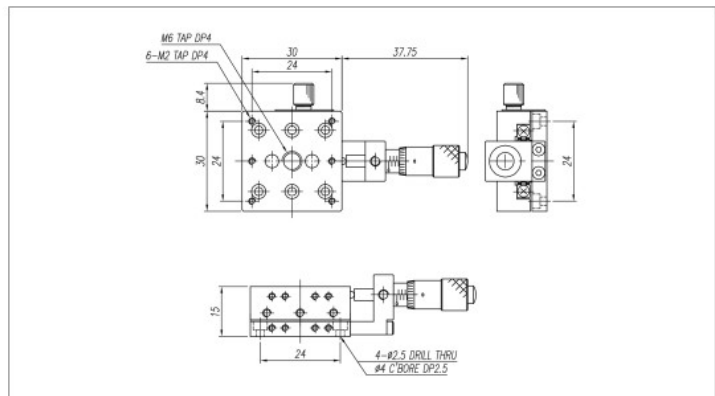
## M1-338-L1



## M1-338-R1



## M1-338-C1



SPECIFICATION	M1-338-L1, R1, C1
Table Dimension(mm)	30×30
Travel Range(mm)	±3
Travel Guide	Cross Roller Guide
Readable Resolution(mm)	0.01
Parallelism(mm)	0.03
Running Parallelism(mm)	0.02
Straightness(mm)	0.003
Load Capacity(kg)	1.5
Material	Aluminum
Weight(kg)	0.06