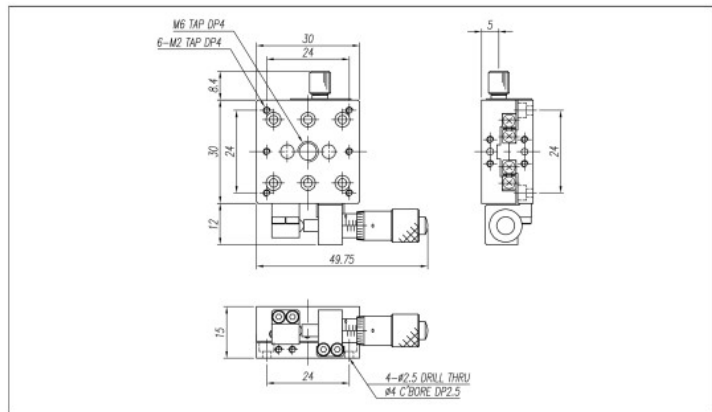


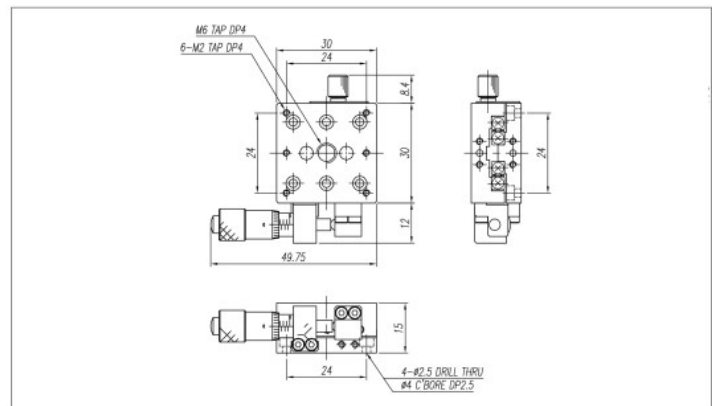
M1-330-L1

M1-330-R1

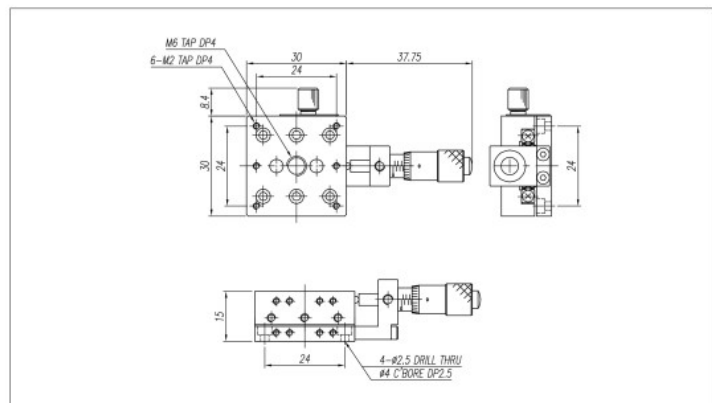
M1-330-L1



M1-330-R1



M1-330-C1



SPECIFICATION	M1-330-L1, R1, C1
Table Dimension(mm)	30×30
Travel Range(mm)	±3
Travel Guide	Cross Roller Guide
Readable Resolution(mm)	0.01
Parallelism(mm)	0.03
Running Parallelism(mm)	0.01
Straightness(mm)	0.003
Load Capacity(kg)	3
Material	Steel
Weight(kg)	0.12