

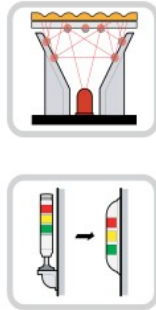


PWE Series

90mm Wall Mounting Semicircular LED Signal Light

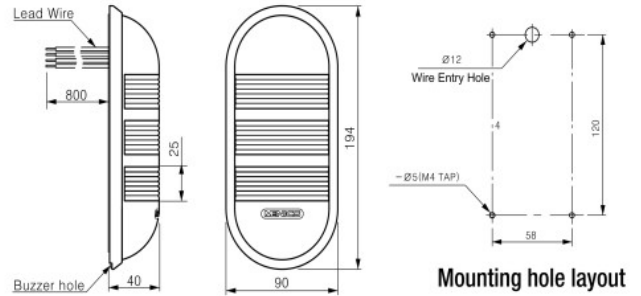


- 1~3 colors
- Slim Profile Wall Mount
- Easy Mounted vertically and horizontally
- Steady and flashing lights
- Vibration and moisture resistant



Dimensions

unit: mm



Ordering Information

PWE C F - 3 02 - RYG
 ① ② ③ ④ ⑤

① Housing Color	no mark	Cream
	C	Chrome
② Light Style		Steady
	F	Steady & Flashing
	B	Steady with Audible Alarm
	Z	Steady & Flashing with Alarm
③ Number of Stacks	1	1 Light
	2	2 Lights
	3	3 Lights
④ Power Supply	01	12V AC/DC
	02	24V AC/DC
	FF	90~240V AC
⑤ Lens Colors (top to bottom)	R	Red
	Y	Yellow
	G	Green

Specifications

Alarm Sound Level	80 ± 5dB at 1m
Flashing rate	Approx. 80 ± 5 flashes/min.
Rating	IP65 (IP52 with buzzer)
Vibration	0.75mm at 10~55Hz
Ambient Temp.	-20°C~40°C
Ambient Humidity	45~85% RH
Recommended Wire Size	1007 UL / 22 AWG

Current Consumption

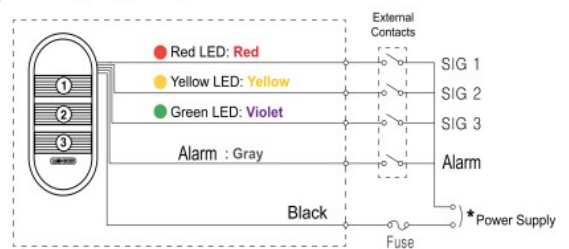
PowerSupply	12VAC/DC		24VAC/DC		90~240VAC	
	General	Buzzer	General	Buzzer	General	Buzzer
1stack-Red	0.06A	0.25A	0.07A	0.16A	0.02A	0.05A
2stacks-Red+Green	0.12A	0.30A	0.12A	0.20A	0.03A	0.13A
3stacks-R+Y+G	0.17A	0.37A	0.15A	0.27A	0.04A	0.18A

Wiring Diagram

12V & 24V AC/DC

PWE-□01-□□□ PWE-□02-□□□
 PWE-□02-□□□ PWE-□02-□□□

Steady Lights (with Audible Alarm)

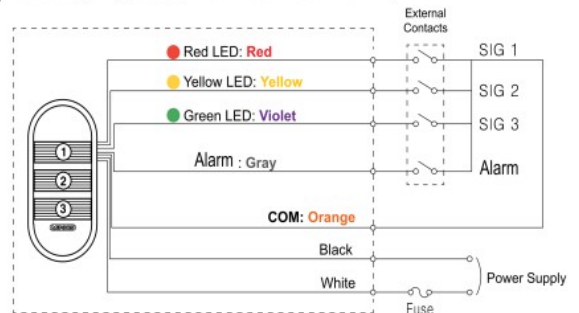


* No polarity for DC applications.

90-240V AC

PWE-□FF-□□□ PWE-□FF-□□□

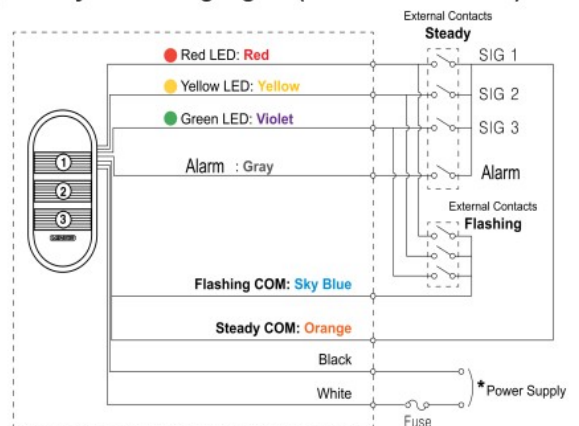
Steady Lights (with Audible Alarm)



90-240V AC, 24V AC/DC

PWEF-□01-□□□ PWEZ-□01-□□□
 PWEF-□02-□□□ PWEZ-□02-□□□
 PWEF-□FF-□□□ PWEZ-□FF-□□□

Steady & Flashing Lights (with Audible Alarm)



* No polarity for DC applications.