



PLD Series

Ø25mm LED Tower Light



Ordering Information

PLD	S	F	-	5	01	-	RYGBC
	①	②		③	④		⑤
① Pole Length	S			65mm pole			
	L			200mm pole			
② Light Style	no mark			Steady			
	F			Steady & Flashing			
③ Number of Stacks	1			1 Light			
	2			2 Lights			
	3			3 Lights			
	4			4 Lights			
	5			5 Lights			
④ Power Supply	01			12VDC			
	02			24VDC			
⑤ Lens Colors (top to bottom)	R			Red			
	Y			Yellow			
	G			Green			
	B			Blue			
	C			Clear			

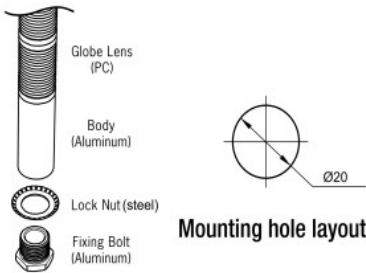
- Strong aluminum body
- Well suited for small device applications
- Long LED life and reliable operation
- Prism-cut lenses for even light distribution
- Direct mounting pole installed
- Lead wire connection

Specifications

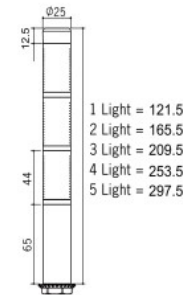
Operation/Function	Steady/ Flashing		
Maximum tier	5		
Body Style	Aluminum, Silver body		
Lens Diameter	25 mm (1 inch)		
Flash Rate	Approx. 80 ± 5 flashes/min.		
Certificate/Compliance	CE, RoHS		
Vibration	0.75mm at 10~55Hz		
Ambient Temperature	-15°C~40°C		
Storage Temperature	-20°C ~ 70°C		
Ambient Humidity	45~85% RH		
Degree of Protection	IP52		
Recommended Wire Size	1007 UL / 22 AWG		
Power supply	12VDC	24VDC	
Current Consumption (RMS ±10%)	1stack	0.07A	0.03A
	2stack	0.14A	0.07A
	3stack	0.21A	0.10A
	4stack	0.28A	0.13A
	5stack	0.35A	0.16A

Dimensions (unit:mm)

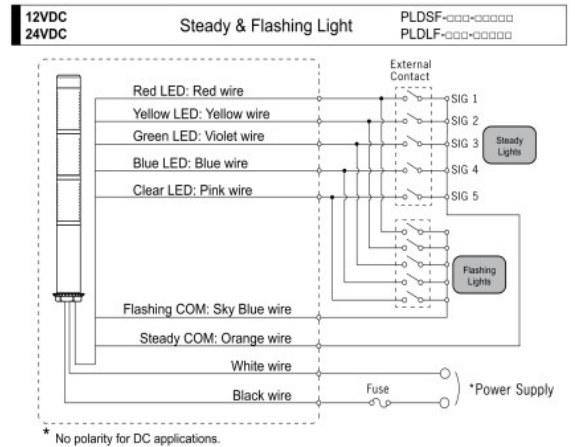
Built-in mounting method



PLDS-000-00000
PLDSF-000-00000



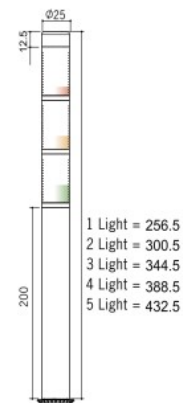
Wiring Diagram



MAM-DS25



PLDL-000-00000
PLDLF-000-00000



Optional L-angle mounting bracket use

