

101 Models Electromagnetic Clutches - Flange-mounted Type

Specifications

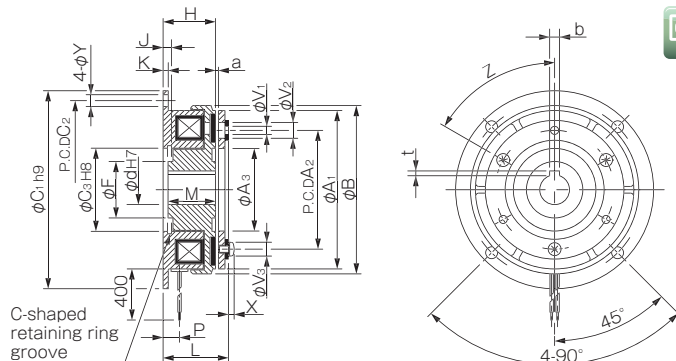
Model	Size	Dynamic friction torque T _d [N·m]	Static friction torque T _s [N·m]	Coil (at 20°C)					Heat resistance class	Max. rotation speed [min ⁻¹]	Rotating part moment of inertia J		Total work performed until readjustment of the air gap E _t [J]	Armature pull-in time t _a [s]	Torque build-up time t _p [s]	Torque decaying time t _d [s]	Mass [kg]
				Voltage [V]	Wattage [W]	Current [A]	Resistance [Ω]	Rotor [kg·m ²]			Armature [kg·m ²]						
101-06-13G											4.23 × 10 ⁻⁵						0.46
101-06-15G	06	5	5.5	DC24	11	0.46	52	B	8000	7.35 × 10 ⁻⁵	1.05 × 10 ⁻⁴	36 × 10 ⁶	0.020	0.041	0.020	0.66	
101-06-11G											6.03 × 10 ⁻⁵					0.5	
101-08-13G											1.18 × 10 ⁻⁴					0.83	
101-08-15G	08	10	11	DC24	15	0.63	38	B	6000	2.24 × 10 ⁻⁴	3.00 × 10 ⁻⁴	60 × 10 ⁶	0.023	0.051	0.030	1.19	
101-08-11G											1.71 × 10 ⁻⁴					0.91	
101-10-13G											4.78 × 10 ⁻⁴					1.5	
101-10-15G	10	20	22	DC24	20	0.83	29	B	5000	6.78 × 10 ⁻⁴	9.45 × 10 ⁻⁴	130 × 10 ⁶	0.025	0.063	0.050	2.11	
101-10-11G											6.63 × 10 ⁻⁴					1.66	
101-12-13G											1.31 × 10 ⁻³					2.76	
101-12-15G	12	40	45	DC24	25	1.09	23	B	4000	2.14 × 10 ⁻³	2.75 × 10 ⁻³	250 × 10 ⁶	0.040	0.115	0.065	3.8	
101-12-11G											1.81 × 10 ⁻³					3.05	
101-16-13G											4.80 × 10 ⁻³					5.1	
101-16-15G	16	80	90	DC24	35	1.46	16	B	3000	6.30 × 10 ⁻³	9.05 × 10 ⁻³	470 × 10 ⁶	0.050	0.160	0.085	6.9	
101-16-11G											6.35 × 10 ⁻³					5.4	
101-20-13G											1.37 × 10 ⁻²					9.3	
101-20-15G	20	160	175	DC24	45	1.88	13	B	2500	1.93 × 10 ⁻²	2.65 × 10 ⁻²	10 × 10 ⁸	0.090	0.250	0.130	13	
101-20-11G											1.90 × 10 ⁻²					10.5	
101-25-13G											3.58 × 10 ⁻²					17	
101-25-15G	25	320	350	DC24	60	2.5	9.6	B	2000	4.48 × 10 ⁻²	7.45 × 10 ⁻²	20 × 10 ⁸	0.115	0.335	0.210	23.6	
101-25-11G											4.83 × 10 ⁻²					18.7	

* The dynamic friction torque, T_d, is measured at a relative speed of 100 min⁻¹.

* The rotating part moment of inertia and mass are measured for the maximum bore diameter.

Dimensions (101-□-13G)

(For direct mounting)



Unit [mm]

Size	Shaft bore dimensions				
	d	Models compliant with the new JIS standards		Models compliant with the old JIS standards	
		b P9	t	b E9	t
06	12	4 ^{-0.012} _{-0.042}	1.5 ^{+0.5} ₀	4 ^{+0.050} _{+0.020}	1.5 ^{+0.5} ₀
	15	5 ^{-0.012} _{-0.042}	2 ^{+0.5} ₀	5 ^{+0.050} _{+0.020}	2 ^{+0.5} ₀
08	15	5 ^{-0.012} _{-0.042}	2 ^{+0.5} ₀	5 ^{+0.050} _{+0.020}	2 ^{+0.5} ₀
	20	6 ^{-0.012} _{-0.042}	2.5 ^{+0.5} ₀	5 ^{+0.050} _{+0.020}	2 ^{+0.5} ₀
10	20	6 ^{-0.012} _{-0.042}	2.5 ^{+0.5} ₀	5 ^{+0.050} _{+0.020}	2 ^{+0.5} ₀
	25	8 ^{-0.015} _{-0.051}	3 ^{+0.5} ₀	7 ^{+0.061} _{+0.025}	3 ^{+0.5} ₀
12	25	8 ^{-0.015} _{-0.051}	3 ^{+0.5} ₀	7 ^{+0.061} _{+0.025}	3 ^{+0.5} ₀
	30	8 ^{-0.015} _{-0.051}	3 ^{+0.5} ₀	7 ^{+0.061} _{+0.025}	3 ^{+0.5} ₀
16	30	8 ^{-0.015} _{-0.051}	3 ^{+0.5} ₀	7 ^{+0.061} _{+0.025}	3 ^{+0.5} ₀
	40	12 ^{-0.018} _{-0.061}	3 ^{+0.5} ₀	10 ^{+0.061} _{+0.025}	3.5 ^{+0.5} ₀
20	40	12 ^{-0.018} _{-0.061}	3 ^{+0.5} ₀	10 ^{+0.061} _{+0.025}	3.5 ^{+0.5} ₀
	50	14 ^{-0.018} _{-0.061}	3.5 ^{+0.5} ₀	12 ^{+0.075} _{+0.032}	3.5 ^{+0.5} ₀
25	50	14 ^{-0.018} _{-0.061}	3.5 ^{+0.5} ₀	12 ^{+0.075} _{+0.032}	3.5 ^{+0.5} ₀
	60	18 ^{-0.018} _{-0.061}	4 ^{+0.5} ₀	15 ^{+0.075} _{+0.032}	5 ^{+0.5} ₀

Unit [mm]

Size	Radial direction dimensions												Axial direction dimensions								
	A ₁	A ₂	A ₃	B	C ₁	C ₂	C ₃	F	V ₁	V ₂	V ₃	Y	Z	H	J	K	L	M	P	X	a
06	63	46	34.5	67.5	80	72	35	23	3-3.1	3-6.3	3-5.5	5	6-60°	24	3.5	2.1	28	22	7.3	2.5	0.2 ±0.05
08	80	60	41.5	85	100	90	42	28.5	3-4.1	3-8	3-7	6	6-60°	26.5	4.3	2.6	31	24	8.3	2.85	0.2 ±0.05
10	100	76	51.5	106	125	112	52	40	3-5.1	3-10.5	3-9	7	6-60°	30	5	3.1	36	27	9	3.3	0.2 ±0.05
12	125	95	61.5	133	150	137	62	45	3-6.1	3-12	3-11	7	6-60°	33.5	5.5	3.6	40.5	30	9.3	3.3	0.3 ^{+0.05} _{-0.1}
16	160	120	79.5	169	190	175	80	62	3-8.1	3-15	3-14	9.5	6-60°	37.5	6	4.1	46.5	34	11.7	3.5	0.3 ^{+0.05} _{-0.1}
20	200	158	99.5	212.5	230	215	100	77	3-10.2	3-18	3-17	9.5	6-60°	44	7	5.1	55.5	40	13.4	4.9	0.5 ^{+0.05} _{-0.2}
25	250	210	124.5	264	290	270	125	100	4-12.2	4-22	4-20	11.5	8-45°	51	8	6.1	64	47	16	5.5	0.5 ^{+0.05} _{-0.2}

How to Place an Order

101-06-13G 24V 12DIN

Size

Keyway standards DIN: Compliant with the new JIS standards
JIS: Compliant with the old JIS standards

Rotor bore diameter (dimensional symbol d)