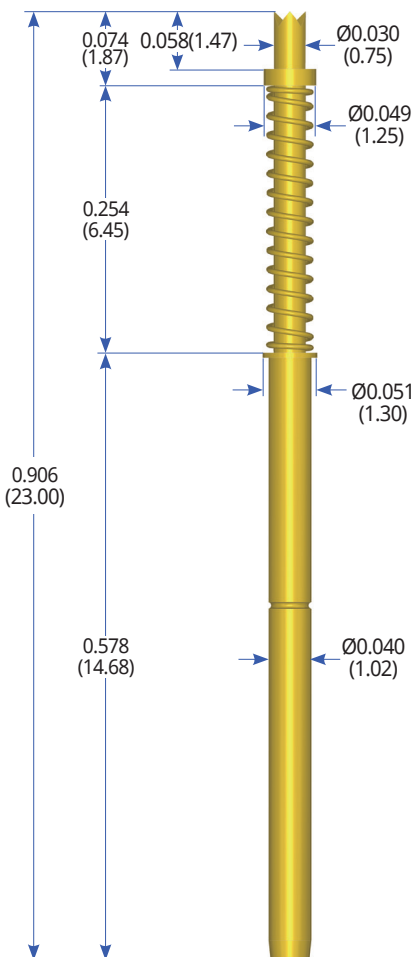


# Touch Pin PS230

Unit : inch(mm)



## Probe Specifications

### Electrical(Static Conditions)

- Current Rating : 6amps
- Probe Resistance : Less than 30mΩ

### Materials and Finishes

- Plunger : Hardened Steel Gold Plated
- Barrel : Brass, Gold Plated
- Spring : Music Wire, Gold Plated

Spring Force ±20%	Oz(Grams)
Recommended Travel	Full Travel
0.118(3.0mm)	0.157(4.0mm)
4.063(115)	5.208(148)