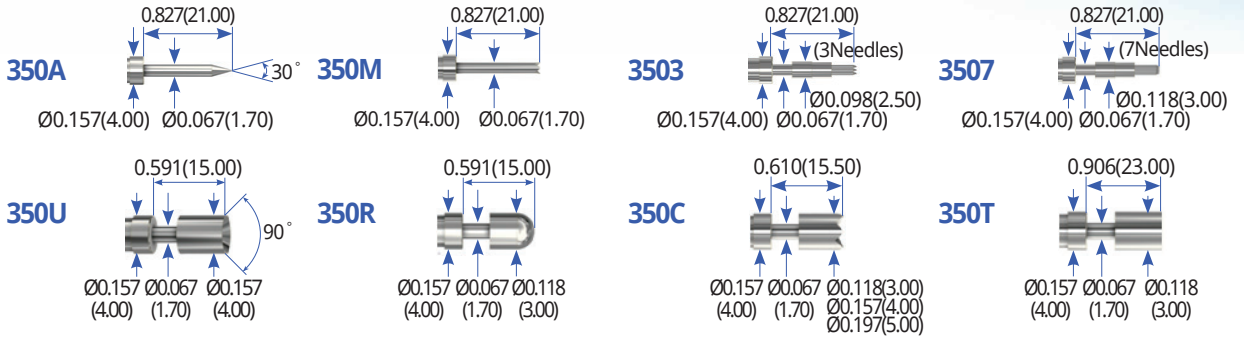
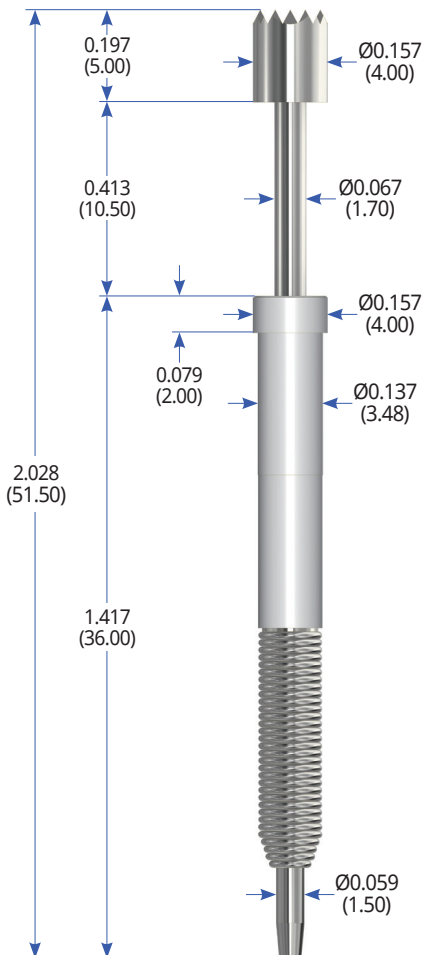


# 0.187(4.75) Test Centers 350



Unit : inch(mm)



## Probe Specifications

### Electrical(Static Conditions)

- Current Rating : 15amps
- Probe Resistance : Less than 20mΩ

### Materials and Finishes

- Plunger : Hardened Steel, Nickel Plated
- Sleeve : Resin or Brass, Nickel Plated
- Spring : Music Wire

Spring Force ±20%	Oz(Grams)
Recommended Travel	Full Travel
0.287(7.3mm)	0.433(11.0mm)
13.404(380)	20.106(570)