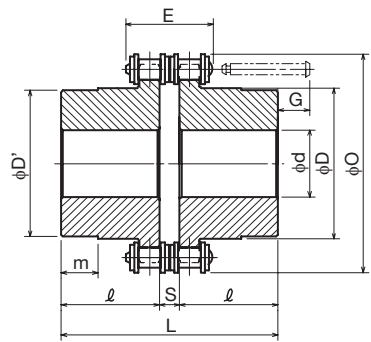


# Chain Couplings



The chain coupling consists of a shaft coupling assembled from 2 rows of roller chain and 2 sprockets which engage them. By freely inserting or removing a joint pin, the chain ends can be simply connected or dismantled.

The original KANA structure is such that the case has been split into two perpendicularly to the shaft, and the cases KC3012 to KC8022 have a V-shaped groove on both sides with an O-ring inserted to prevent oil leaks.

## ◇ Standard Chain Coupling Body

Standard Chain Coupling No.	Chain in Use		Shaft Diameter Range d		Body Dimensions								Approx. Weight kg	¥
	Pitch	Maximum width E	Minimum (prepared hole H10)	Maximum	O	D	D'	m	L	ℓ	S	G		
3012H	9.525	23.9	14 (12)	16	45	27	25	5.5	64.8	30	4.8	6	0.4	
4012H	12.70	32.0	14 (12)	22	61	36	33	10	79.4	36	7.4	11	0.8	
4014H	12.70	32.0	14 (12)	28	69	45	43	9	79.4	36	7.4	11	1.1	
4016H			16 (14.5)	32	77	51	48	15	87.4	40	7	7	1.4	
5014H	15.875	39.9	16 (14)	35	86	56	53	16	99.7	45	9.7	12	2.2	
5016H			18 (16)	40	96	63	60	16	99.7	45	9.7	12	2.7	
5018H	15.875	39.9	18 (16)	45	106	73	70	16	99.7	45	9.7	12	3.8	
6018H	19.05	52.5	22 (20)	55	128	88	85	18	123.5	56	11.5	19	6.2	
6020H	19.05	52.5	22 (20)	60	140	103	98	16	123.5	56	11.5	19	7.8	
6022H			22 (20)	70	152	115	110	12	123.5	56	11.5	19	10.4	
8018H	25.40	66.2	22 (20)	80	170	115	110	15	141.2	63	15.2	31	12.7	
8020H			22 (20)	85	186	125	121	12	145.2	65	15.2	29	16.0	
8022H	25.40	66.2	22 (20)	100	202	143	140	19	157.2	71	15.2	23	20.2	
10020H	31.75	79.0	27 (25)	110	232	162	160	40	178.8	80	18.8	32	33.0	
12018H	38.10	101.2	37 (35)	125	255	173	170	56	202.7	90	22.7	53	47.0	
12022H			37 (35)	140	303	213	210	55	222.7	100	43	72.0		



\* The large coupling case KC10020 and beyond uses a method where one side is fixed and the other side is a Z-type seal.  
 \* Since we also manufacture sizes other than those in the catalog, and machine shaft holes/keys/taps, etc., depending on your request, please contact our sales office for details.



You can see the product on video.

