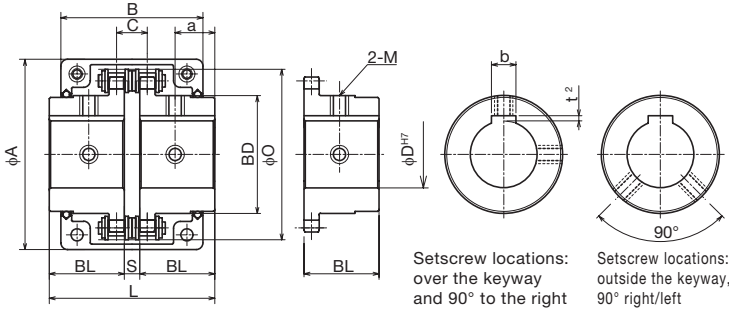


FBN/FBK Finished Bore Chain Coupling New/Old JIS Keyway Specification



(The square in the φ D marks the setscrew position)

φD ^{H7}	¥	Weight kg	Chain Coupling No.	
			Model No.	Type
		0.1	KC3012	FBN New JIS Key Specifica- tions Body Side
		0.2	KC4012	
		0.3	KC4014	
		0.5	KC4016	
		0.7	KC5014	
		1.0	KC5016	
40 42 45		1.2	KC5018	
48 50 55		2.4	KC6018	
60 65		4.3	KC6022	
55 60 65 70 75		5.3	KC8018	
60 65 70 75 80		9.1	KC8022	
		0.1	KC3012	FBK Old JIS key Specifica- tions Body Side
		0.2	KC4012	
		0.3	KC4014	
		0.5	KC4016	
		0.7	KC5014	
		1.0	KC5016	
		1.2	KC5018	
		2.4	KC6018	
60 65		4.3	KC6022	

FBN Shaft Hole Machined Specification (for New JIS Key)

Shaft Hole Diameter D	Keyway b×t ²	Set Screw M
14 - 17	5 x 2.3	6
18 - 22	6 x 2.8	
24 - 30	8 x 3.3	8
32 - 38	10 x 3.3	
40 - 42	12 x 3.3	10
45 - 50	14 x 3.8	
55	16 x 4.3	12
60 - 65	18 x 4.4	
70 - 75	20 x 4.9	16
80	22 x 5.4	

■ KC3012 φ14 to φ16 is the M5 specification

FBK Shaft Hole Machined Specification (for Old JIS Key)

Shaft Hole Diameter D	Keyway b×t ²	Set Screw M
14 - 20	5×2	6
22 - 30	7×3	8
32 - 40	10 x 3.5	
42 - 50	12 x 3.5	10
55 - 60	15×5	12
65 - 70	18×6	16

■ KC3012 φ14 to φ16 is the M5 specification

For the lubricant agent, please use the dedicated KANA standard coupling grease.

A1 Multi-EP Grease No.2

MBSG04
Internal Capacity
400g

MBSG25
Internal Capacity
2.5kg/16kg

▶▶ See P345

