

Spann Box <SB2>

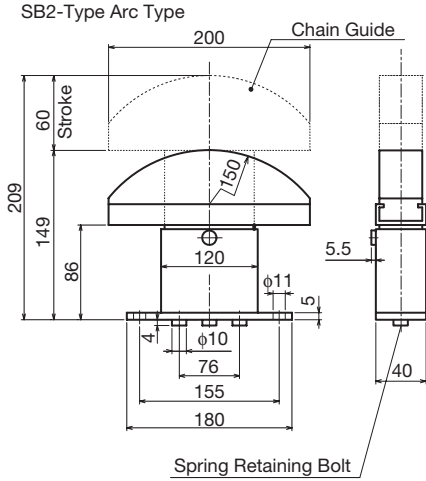
Order No. Example

SB2 80 1 L

Spann Box No. No. of Rows
Product Name No. Load Categories



SB2



Material

Chain Guide	UHMW Polyethylene Green
Body	Steel

The Spann Box SB2-type features a higher chain guide contact pressure for high-load transmission of No.80 and No.100 chains.

Spann Box No.	Product Name No.	Chain No. of Rows	Load Categories L: Light-duty H: Heavy-duty	Chain No.	¥
SB2 (arc type)	80	1	L H	80	
	100	1	L H	100	



Order Method

Spann Box No. Product Name No. No. of Rows Load Categories and Quantity




Postage

Same-day shipping



Guide

- * Spring Retaining Bolt
- * Set the tension load by opening the spring.
- Provide space below so that the bolt can be tightened by a flathead screwdriver.
- * For details on load categories (tension) and conveyor dimensions,  see P129.



Video Guide

You can see the product on video.

