

# Tensioner TM Series



## Automatic Tensioner (TMB)

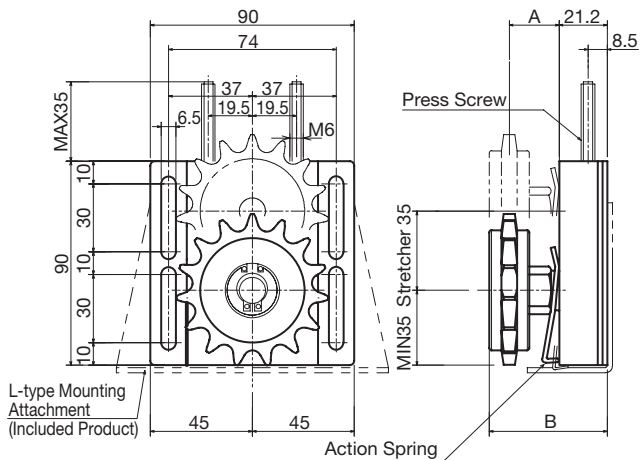
### ● Order No. Example

**TMB60**

Tensioner No.



TMB



Chain stretch causes transmission efficiency to drop. It also accelerates chain and sprocket wear and shortens service life. The KANA Tensioner automatic tension type is provided with a standard idler and is operated by a built-in spring.

### ◇ Tensioner TMB Type (w/ Standard Idler Sprocket)

Tensioner No.	Applicable Roller Chain	A	B	No. of Idler Sprocket Teeth	Weight (g)	¥
TMB-35	JIS35	22	52	18	740	
TMB-40	JIS40	22	52	15	780	
TMB-50	JIS50	22	52	13	820	
TMB-60	JIS60	22	52	11	872	
TMB-80	JIS80	22	52	9	962	



Order Method

Tensioner No. and Quantity



Postage

Same-day shipping



Video Guide

You can see the product on video.

