

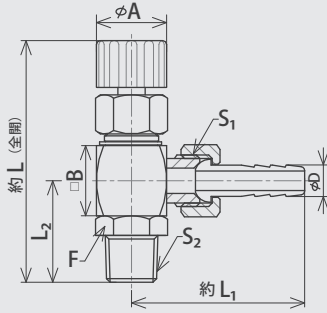
VTH

Ⓜ MVH-S

Needle Valve (Swivel:Type H)
旋回バルブ (ホース口式)



Cd ≤ 75ppm



| 品番 | 旧品番 | 呼称 φD×S ₂ | 対辺寸法 | | ホース口外径 φA | 適合ねじ S ₁ (G) | 適用ねじ S ₂ (R) | 寸法情報 | | | |
|-----------|---------|-------------------------|------|----|--------------|----------------------------|----------------------------|------|------|-----------------|----------------|
| | | | F | □B | | | | φA | 約L | 約L ₁ | L ₂ |
| VTH 03818 | MV-1201 | 8.0×1/8 | 16 | 18 | 8.0 | 1/4 | 1/8 | 18 | 64.0 | 43.5 | 23.0 |
| VTH 03828 | MV-1202 | 8.0×1/4 | 16 | 18 | 8.0 | 1/4 | 1/4 | 18 | 67.0 | 43.5 | 26.0 |
| VTH 04828 | MV-1203 | 9.5×1/4 | 19 | 22 | 9.5 | 3/8 | 1/4 | 22 | 75.0 | 49.0 | 28.0 |
| VTH 04838 | MV-1206 | 9.5×3/8 | 19 | 22 | 9.5 | 3/8 | 3/8 | 22 | 76.0 | 49.0 | 29.0 |
| VTH 05828 | MV-1204 | 10.0×1/4 | 19 | 22 | 10.0 | 3/8 | 1/4 | 22 | 75.0 | 50.5 | 28.0 |
| VTH 05838 | MV-1207 | 10.0×3/8 | 19 | 22 | 10.0 | 3/8 | 3/8 | 22 | 76.0 | 50.5 | 29.0 |
| VTH 06828 | MV-1205 | 11.0×1/4 | 19 | 22 | 11.0 | 3/8 | 1/4 | 22 | 75.0 | 52.0 | 28.0 |
| VTH 06838 | MV-1208 | 11.0×3/8 | 19 | 22 | 11.0 | 3/8 | 3/8 | 22 | 76.0 | 52.0 | 29.0 |
| VTH 07838 | MV-1209 | 12.0×3/8 | 24 | 26 | 12.0 | 1/2 | 3/8 | 26 | 89.0 | 58.0 | 31.0 |
| VTH 07848 | MV-1211 | 12.0×1/2 | 24 | 26 | 12.0 | 1/2 | 1/2 | 26 | 92.0 | 58.0 | 34.0 |
| VTH 08838 | MV-1210 | 12.7×3/8 | 24 | 26 | 12.7 | 1/2 | 3/8 | 26 | 89.0 | 58.5 | 31.0 |
| VTH 08848 | MV-1212 | 12.7×1/2 | 24 | 26 | 12.7 | 1/2 | 1/2 | 26 | 92.0 | 58.5 | 34.0 |
| VTH 09838 | | 14.0×3/8 | 24 | 26 | 14.0 | 1/2 | 3/8 | 26 | 89.0 | 67.0 | 31.0 |
| VTH 09848 | MV-1213 | 14.0×1/2 | 24 | 26 | 14.0 | 1/2 | 1/2 | 26 | 92.0 | 67.0 | 34.0 |

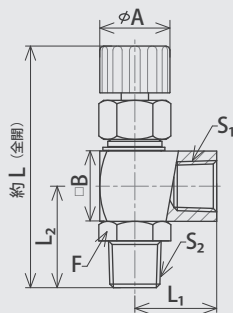
VTS

Ⓜ VA-S

Needle Valve (Swivel:Type S)
旋回バルブ (ねじ込み式)



Cd ≤ 75ppm



| 品番 | 旧品番 | 呼称 S ₁ ×S ₂ | 対辺寸法 | | 適合ねじ S ₁ (Rc) | 適用ねじ S ₂ (R) | 寸法情報 | | | |
|-----------|---------|--------------------------------------|------|----|-----------------------------|----------------------------|------|------|----------------|----------------|
| | | | F | □B | | | φA | 約L | L ₁ | L ₂ |
| VTS 81818 | MV-1301 | 1/8×1/8 | 16 | 18 | 1/8 | 1/8 | 18 | 64.0 | 21.0 | 23.0 |
| VTS 82828 | MV-1304 | 1/4×1/4 | 16 | 18 | 1/4 | 1/4 | 18 | 67.0 | 21.0 | 26.0 |
| VTS 83838 | MV-1307 | 3/8×3/8 | 19 | 22 | 3/8 | 3/8 | 22 | 76.0 | 24.0 | 29.0 |
| VTS 84848 | MV-1310 | 1/2×1/2 | 24 | 26 | 1/2 | 1/2 | 26 | 97.0 | 29.0 | 34.0 |
| VTS 81828 | MV-1303 | 1/8×1/4 | 16 | 18 | 1/8 | 1/4 | 18 | 67.0 | 21.0 | 26.0 |
| VTS 82818 | MV-1302 | 1/4×1/8 | 16 | 18 | 1/4 | 1/8 | 18 | 64.0 | 21.0 | 23.0 |
| VTS 82838 | MV-1306 | 1/4×3/8 | 19 | 22 | 1/4 | 3/8 | 22 | 76.0 | 24.0 | 29.0 |
| VTS 83828 | MV-1305 | 3/8×1/4 | 19 | 22 | 3/8 | 1/4 | 22 | 75.0 | 24.0 | 28.0 |
| VTS 83848 | MV-1309 | 3/8×1/2 | 24 | 26 | 3/8 | 1/2 | 26 | 92.0 | 29.0 | 34.0 |
| VTS 84838 | MV-1308 | 1/2×3/8 | 24 | 26 | 1/2 | 3/8 | 26 | 89.0 | 29.0 | 31.0 |

製品改良のために、形状及び寸法については予告なしに変更することがあります。最新情報については弊社ウェブサイト (www.tsugite.com) にてご確認ください。

Made in Japan.