

# MECHANICAL VALVES

## Ball-cam Type

### Symbols

2-port		3-port	
NC (Normally closed)	NO (Normally open)	NC (Normally closed)	NO (Normally open)
125B-2 250B-2 2503B-2	125B-2-11	125B 250B 2503B	125B-11

### Specifications

Item	Basic model	125B	250B	2503B
Port size		Rc1/8	Rc1/4	Rc3/8
Media		Air		
Operating pressure range	MPa [kgf/cm <sup>2</sup> ] [psi.]	0~0.9 [0~9.2] [0~131]		
Proof pressure	MPa [kgf/cm <sup>2</sup> ] [psi.]	1.35 [13.8] [196]		
Operating temperature range (atmosphere and media)	°C [°F]	5~60 [41~140]		
Effective area	mm <sup>2</sup>	5.5	15	
Flow coefficient	Cv	0.27	0.76	
Valve stroke	mm [in.]	0.8 [0.031]	1.6 [0.063]	
Lubrication		Not required		
Mass	kg [lb.]	0.11 [0.24]	0.21 [0.46]	0.26 [0.57]
Options		2-port .....-2 Normally open ...-11 With lock nuts for panel mounting ...-22	2-port .....-2	
	..... Order codes			

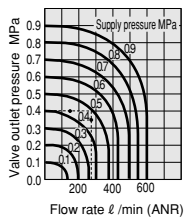
### Order Codes

Basic model	Option	Basic model		Option	
		Basic model	Port size	Code	Specifications
125B-2-11-22	-22	125B	Rc1/8	Blank	3-port Normally closed
		250B	Rc1/4	2	2-port
		2503B	Rc3/8	11	Normally open (125B only)
				22	125B With lock nuts for panel mounting

Examples:  
125B-2-11-22  
250B

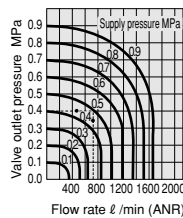
### Flow Rate

#### 125 series



1MPa = 145psi.  
1 l/min = 0.0353ft<sup>3</sup>/min.

#### 250 series 2503 series



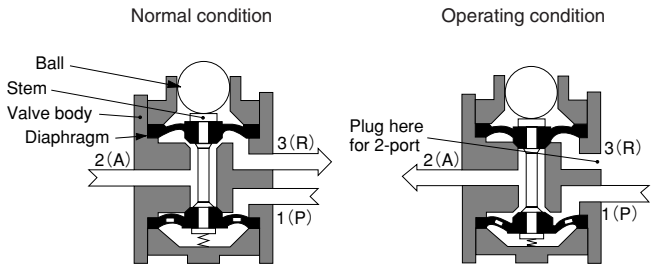
**How to read the graph**  
When the supply pressure is 0.5MPa [73psi.] and the flow rate is 275 l/min [9.71ft<sup>3</sup>/min.] (ANR), the valve outlet pressure becomes 0.4MPa [58psi.].

**How to read the graph**  
When the supply pressure is 0.5MPa [73psi.] and the flow rate is 740 l/min [26.1ft<sup>3</sup>/min.] (ANR), the valve outlet pressure becomes 0.4MPa [58psi.].

### Ball Pushing Down Force

		N [lbf.]				
Model	Main pressure MPa [psi.]	0 [0]	0.2 [29]	0.4 [58]	0.6 [87]	0.8 [116]
125B	Normally closed	16.7 [3.75]	24.5 [5.51]	32.4 [7.28]	40.2 [9.04]	48.1 [10.81]
	Normally open		30.4 [6.83]	50.0 [11.24]	71.6 [16.10]	86.3 [19.40]
250B, 2503B	Normally closed	17.5 [3.93]	36.3 [8.16]	55.9 [12.57]	78.5 [17.65]	104.0 [23.38]

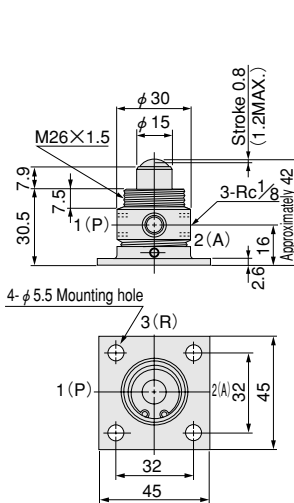
### Inner Construction, Major Parts and Materials



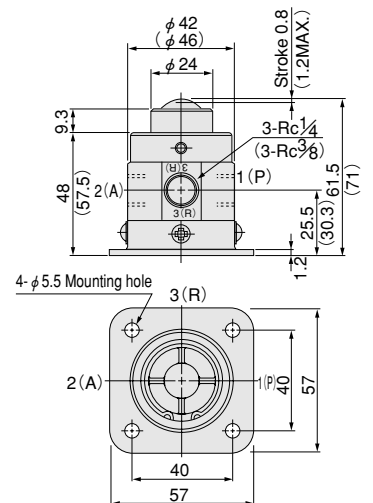
Parts	Materials
Body	Aluminum alloy (anodized)
Stem	Brass
Diaphragm	Synthetic rubber
Ball	Steel

### Dimensions (mm)

#### 125B



#### 250B 2503B



Note: For the normally open type, the exhaust port 3(R) is on the opposite side.