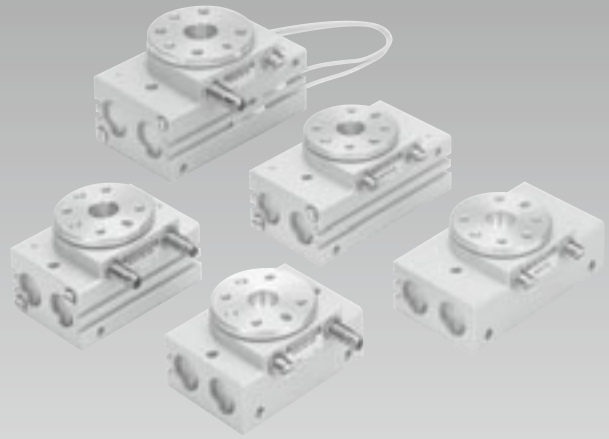


ROTARY ACTUATORS RAT Series



Lightweight and Compact

■ High precision by using bearing.

■ Workpiece is easily mounted on the RAT table.

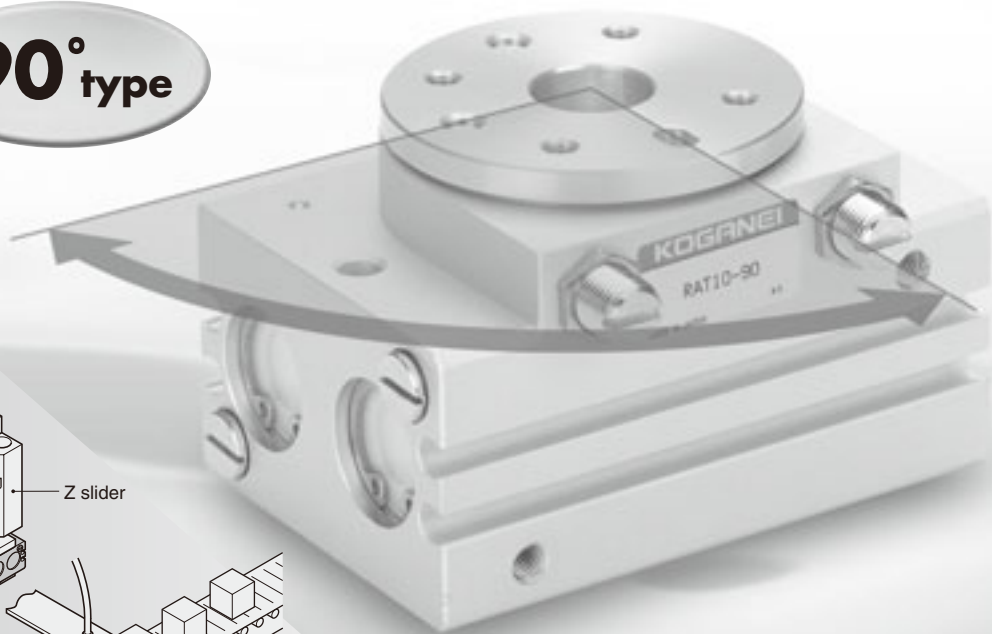
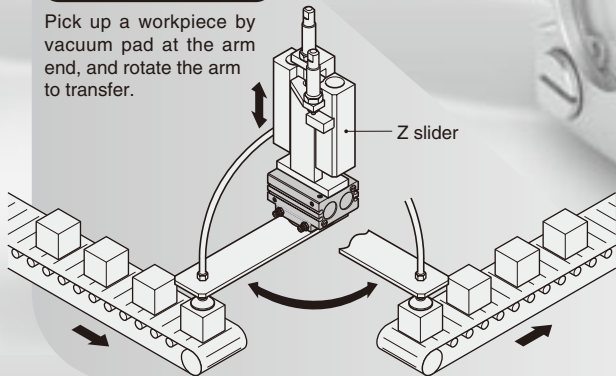
Two types are available for swing angle, **90° type** and **180° type**.

By adjusting threaded length of rubber stopper or shock absorber, $\pm 5^\circ$ adjustment at the end of the swing stroke is possible.

90° type

Application example

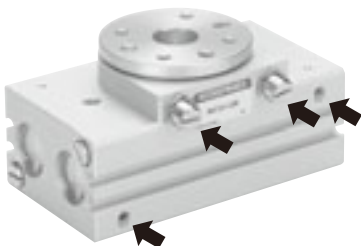
Pick up a workpiece by vacuum pad at the arm end, and rotate the arm to transfer.



Piping and adjusting swing angle are possible on one surface.

Piping and adjusting swing angle is possible on one surface throughout the product range.

By using a vertical lead wire sensor switch, even lead wire can be run out in the same surface. (Except RAT5)



Piping connection is possible on 4 surfaces. (one surface for RAT 5)

Piping direction can be selected for 4 surfaces.

This enables easy piping in confined spaces or in workpiece installed condition. For the piping port location and swing direction, see p.1250.

