

# スリットカラー SCS, SCS-sus

Slit Collars SCS, SCS-sus

RoHS指令適合品



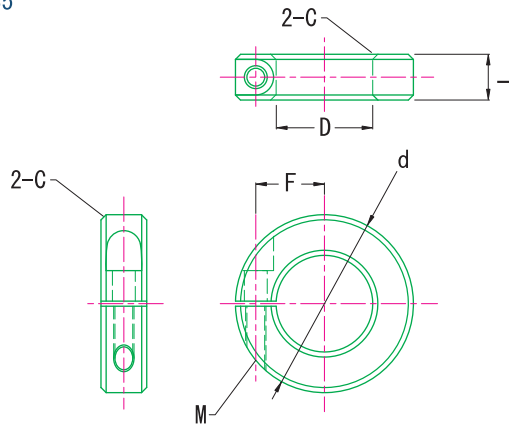
SCS



SCS-sus

- 材表** SCS : 鋼材S45C Steel  
 ▪ 黒色四三酸化鉄皮膜  
 Black oxide finish  
 六角穴付ボルト bolt : 鋼材SCM435 Steel  
 ▪ 黒色四三酸化鉄皮膜  
 Black oxide finish

- 材** SCS\_sus : ステンレスSUS304 Stainless steel  
 六角穴付ボルト bolt : ステンレスSUS304 Stainless steel



Unit : mm

| 品番       | 品番           | D  | L  | d  | F  | M         | C    | 六角穴付きボルト | (g) |
|----------|--------------|----|----|----|----|-----------|------|----------|-----|
| SCS-0815 | SCS-0815-sus | 8  | 15 | 30 | 9  | M 6×P1.0  | C0.5 | M 6×14   | 65  |
| SCS-1015 | SCS-1015-sus | 10 |    | 35 | 10 |           |      | 92       |     |
| SCS-1215 | SCS-1215-sus | 12 |    | 35 | 11 |           |      | 88       |     |
| SCS-1315 | SCS-1315-sus | 13 |    | 35 | 11 |           |      | 86       |     |
| SCS-1515 | SCS-1515-sus | 15 |    | 40 | 13 |           |      | 114      |     |
| SCS-1615 | SCS-1615-sus | 16 |    | 40 | 13 |           | 112  |          |     |
| SCS-2015 | SCS-2015-sus | 20 |    | 45 | 15 |           | 138  |          |     |
| SCS-2515 | SCS-2515-sus | 25 |    | 50 | 18 |           | 161  |          |     |
| SCS-3015 | SCS-3015-sus | 30 |    | 55 | 20 |           | 166  |          |     |
| SCS-3515 | SCS-3515-sus | 35 |    | 60 | 23 |           | 206  |          |     |
| SCS-4018 | SCS-4018-sus | 40 | 18 | 70 | 26 | M 8×P1.25 | C1.0 | M 8×28   | 347 |
| SCS-4518 |              | 45 |    | 75 | 28 |           |      | 470      |     |
| SCS-5022 |              | 50 |    | 85 | 32 |           |      | 559      |     |
|          |              |    |    | 22 |    |           |      |          |     |

スリットカラー