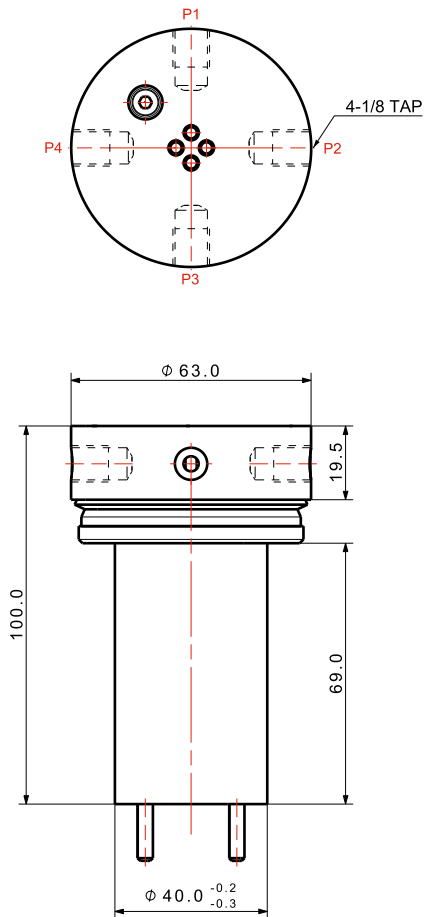


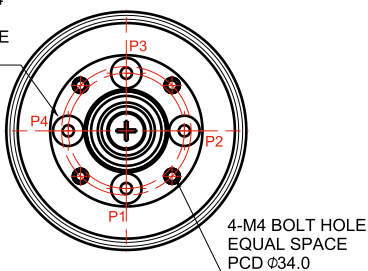
Rotary Joint Cartridge Type

MODEL NO	RTC-4040C	RTC-4045C
Number of Lines	4	4
Fluid	Hydraulic Oil, Air, Vacuum, Cutting Fluid	
Max. Operating Pressure	200kgf/cm ²	
Max. Revolutions per Minute	120rpm	
Operating Temperature Range	0~70°C	
Weight	1.3 kg	1.4 kg

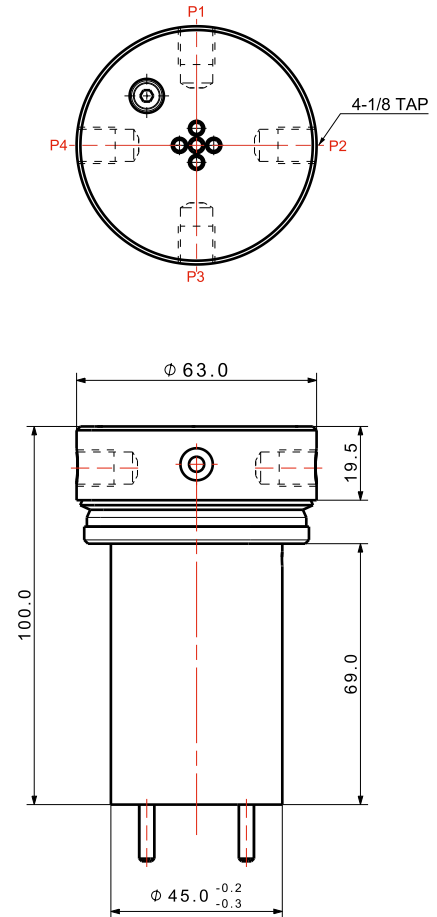
> RTC - 4040C



4- ϕ 3.0 DR
 ϕ 8.0 C'B Dp1.4
 P5 O-RING
 EQUAL SPACE
 PCD ϕ 30.5



> RTC - 4045C



4- ϕ 3.0 DR
 ϕ 8.0 C'B Dp1.4
 P5 O-RING
 EQUAL SPACE
 PCD ϕ 34.5

