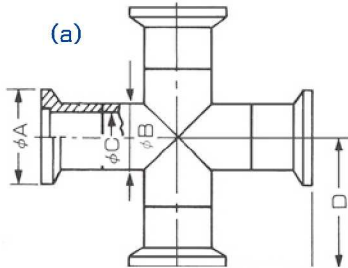
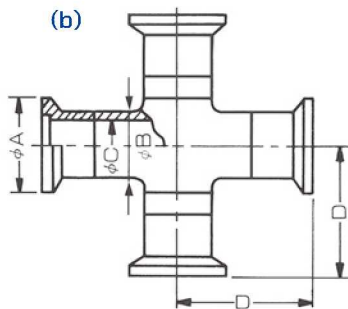


■ Crosses (materials : SUS)



(a)

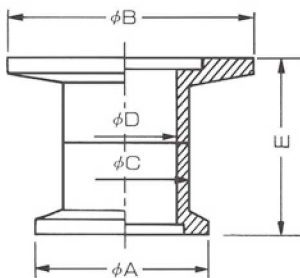
Model No.	Size	ϕA	ϕB	ϕC	D
VP8010	NW10	30	13.8	9.8	30
VP8016	NW16	30	20.0	16.0	40



(b)

Model No.	Size	ϕA	ϕB	ϕC	D
VP8025	NW25	40	27.2	23.0	50
VP8040	NW40	55	42.7	38.7	65
VP8050	NW50	75	60.5	56.5	80
VP8063	NW63	87	76.3	72.1	90
VP8080	NW80	114	89.1	84.9	110
VP8100	NW100	134	114.3	110.1	120

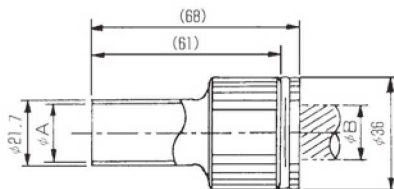
■ Reducing nipples (materials : SUS)



Model No.	Size	ϕA	ϕB	ϕC	ϕD	E
VP9010	NW10/16	30	30	13.8	9.8	40
VP9016	NW10/25	30	40	13.8	9.8	40
VP9025	NW16/25	30	40	20.0	16.0	40
VP9040	NW25/40	40	55	27.2	23.0	40
VP9050	NW25/50	40	75	27.2	23.0	40
VP9060	NW40/50	55	75	42.7	38.7	40
VP9070	NW40/80	55	114	42.7	38.7	50
VP9080	NW50/80	75	114	60.5	56.5	50
VP9090	NW50/100	75	134	60.5	56.5	50
VP9100	NW80/100	114	134	89.1	84.9	50

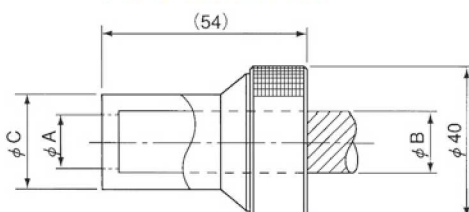
■ Seal port (materials : SUS, Viton O ring)

(a) lock seal type (with prevention coming off)



Model No.	Size	ϕA	ϕB
DG-15P	15	16	15
DG-18P	18	19	18

(b) single seal type



Model No.	Size	ϕA	ϕB	ϕC
SG-15P	15	13	15	25
SG-18P	18	16	18	28