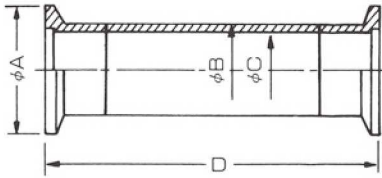
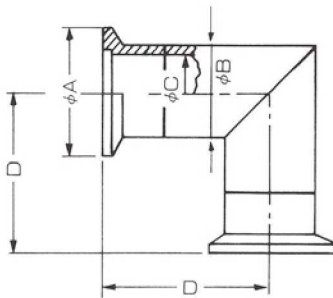


■ Nipples (materials:SUS)



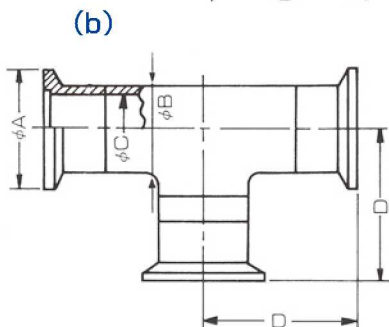
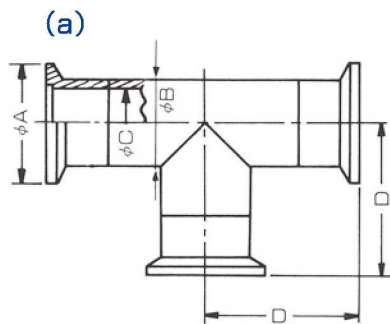
Model No.	Size	φ A	φ B	φ C	D
VP5010	NW10	30	13.8	9.8	60
VP5016	NW16	30	20.0	16.0	80
VP5025	NW25	40	27.2	23.0	100
VP5040	NW40	55	42.7	38.7	100
VP5050	NW50	75	60.5	56.5	100
VP5063	NW63	87	76.3	72.1	100
VP5080	NW80	114	89.1	84.9	100
VP5100	NW100	134	114.3	110.1	100

■ 90° Elbows (materials : SUS)



Model No.	Size	φ A	φ B	φ C	D
VP6010	NW10	30	13.8	9.8	30
VP6016	NW16	30	20.0	16.0	40
VP6025	NW25	40	27.2	23.0	50
VP6040	NW40	55	42.7	38.7	65
VP6050	NW50	75	60.5	56.6	80
VP6063	NW63	87	76.3	72.1	90
VP6080	NW80	114	89.1	84.9	110
VP6100	NW100	134	114.3	110.1	120

■ Tees (materials : SUS)



(a)

Model No.	Size	φ A	φ B	φ C	D
VP7010	NW10	30	13.8	9.8	30
VP7016	NW16	30	20.0	16.0	40

(b)

Model No.	Size	φ A	φ B	φ C	D
VP7025	NW25	40	27.2	23.0	50
VP7040	NW40	55	42.7	38.7	65
VP7050	NW50	75	60.5	56.5	80
VP7063	NW63	87	76.3	72.1	90
VP7080	NW80	114	89.1	84.9	110
VP7100	NW100	134	114.3	110.1	120