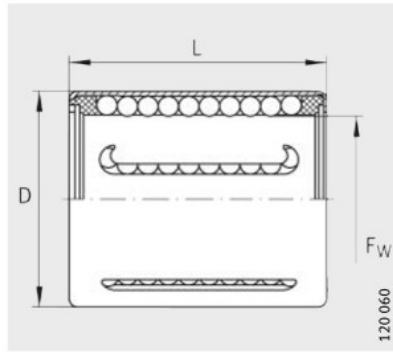


## Compact range

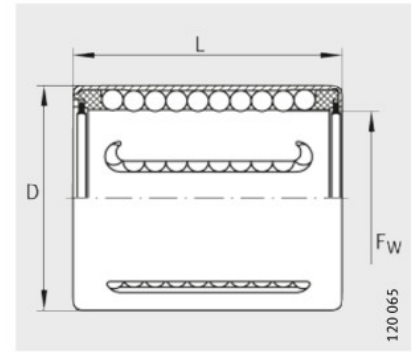
### Linear ball bearings

Open or sealed

With anti-corrosion protection



KH...-RR  
Open



KH...-PP-RR  
Sealed

**Dimension table** · Dimensions in mm

Designation		Mass m ≈g	Dimensions					Basic load ratings <sup>3)</sup>			
1)	2)		F <sub>w</sub>	D	L	J <sub>L4</sub>	N <sub>2</sub>	dyn. C <sub>min</sub> N	stat. C <sub>0 min</sub> N	dyn. C <sub>max</sub> N	stat. C <sub>0 max</sub> N
KH06-RR	KH06-PP-RR	7	6	12	22	4	2	340	240	390	340
KH08-RR	KH08-PP-RR	12	8	15	24	6	2	410	280	475	400
KH10-RR	KH10-PP-RR	14,5	10	17	26	6	2,5	510	370	590	520
KH12-RR	KH12-PP-RR	18,5	12	19	28	6	2,5	670	510	800	740
KH14-RR	KH14-PP-RR	20,5	14	21	28	6	2,5	690	520	830	760
KH16-RR	KH16-PP-RR	27,5	16	24	30	7	2,5	890	620	1060	910
KH20-RR	KH20-PP-RR	32,5	20	28	30	7	2,5	1110	790	1170	1010
KH25-RR	KH25-PP-RR	66	25	35	40	8	2,5	2280	1670	2420	2130
KH30-RR	KH30-PP-RR	95	30	40	50	8	2,5	3300	2700	3300	3100
KH40-RR	KH40-PP-RR	182	40	52	60	9	2,5	5300	4450	5300	4950
KH50-RR	KH50-PP-RR	252	50	62	70	9	2,5	6800	6300	6800	7000

1) With preservative.

2) With initial greasing, sealed on both sides.

3) The basic load ratings are only valid for hardened (670 HV + 170 HV) and ground shaft raceways.

