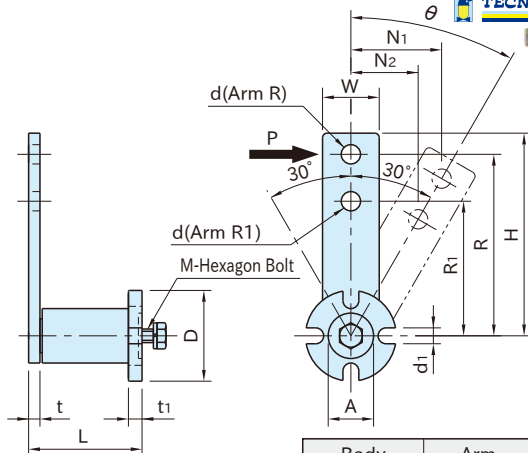


TC-RE

FIXED ANGLE TIGHTENERS



Body	Arm	Elastic Cylinders
FCD400 (TC-RE10:SMF4040) Hammerstone finish Gray	SS400 Hammerstone finish Gray	Natural Rubber

Part Number	d	R	R ₁	L	H	W	t	t ₁	D	M	d ₁ *	A	Arm R Max tension(N)	Arm R1 Max tension (N)
TC-RE10	8.5	80	60	50	90	25	5	6	40	M 6×1	7	20	85	113
TC-RE20	10.5	100	80	62	112.5	30		8	50	M 8×1.25	9	30	136	170
TC-RE30				76	115	35		6	10	60		M10×1.5	35	340
TC-RE40	12.5	130	100	105	155	50	8	15	80	M12×1.75	11	48	790	1027

*) d₁ is size of material and tapered shape with casting surface.

Part Number	Weight (g)	Part Number	Tightening Torque (N·m)	$\theta = 10^\circ$				$\theta = 20^\circ$				$\theta = 30^\circ$			
				Arm R		Arm R1		Arm R		Arm R1		Arm R		Arm R1	
				P(N)	N ₁	P(N)	N ₂	P(N)	N ₁	P(N)	N ₂	P(N)	N ₁	P(N)	N ₂
TC-RE10	280	TC-RE10	10	15	14	20	10	40	28	53	20	85	40	113	30
TC-RE20	480	TC-RE20	25	25	17	31	14	65	34	81	27	136	50	170	40
TC-RE30	730	TC-RE30	49	75	17	93	14	180	34	225	27	340	50	425	40
TC-RE40	2000	TC-RE40	89	150	22	195	17	380	44	494	34	790	65	1027	50

Features:

- The structure is simple and easy to use. It absorbs impact and vibration by its high elasticity.
- It permanently eliminates problems such as noise (there are no metal parts in contact with one another) and pollution (there are no lubricants and wear is insignificant), with a notable reduction or running costs.
- It is stain-resistant and has high tolerance to water and sunlight.

Related Product Page

Pulley Bolt Sets **TC-IB** are available separately.

Technical information:

Working temperature : -40 to 80°C

