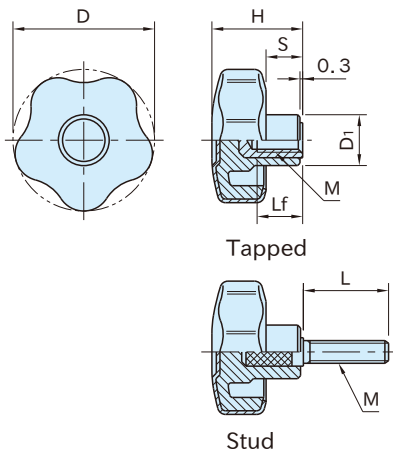




Tapped



Stud



Knob	Insert	Stud
Polypropyrene Thermoplastic elastomer coated Shore A70 Black matte	Brass	Steel(SUM22L) Zinc plated

Tapped

Part Number	D	H	D ₁	S	M	L _f	Weight (g)
STK43SOFT	43	29	17	11	M 8×1.25	13	20
STK53ASOFT	53	34	19	13		15	33
STK53SOFT					M10×1.5	17	36
STK66SOFT	66	38.5	21.5	15.5		M10×1.5	20
STK77SOFT	77	46	26	21	M12×1.75	20	51

Stud

Part Number	D	H	D ₁	S	M	L	Weight (g)
STK43A×25SOFT	43	29	17	11	M 6×1	25	20
STK43A×30SOFT						30	21
STK43 ×16SOFT						16	19
STK43 ×20SOFT					M 8×1.25	20	20
STK43 ×25SOFT						25	22
STK53 ×20SOFT	53	34	19	13	M10×1.5	20	36
STK53 ×30SOFT						30	40
STK66 ×20SOFT	66	38.5	21.5	15.5	M12×1.75	20	46
STK77 ×30SOFT	77	46	26	21		30	53

Feature:

Five elastomer-coated lobes provides soft-touch gripping for comfortable operations.

Technical Information

Working temperature : 0°C to 80°C