

SRP,DRP

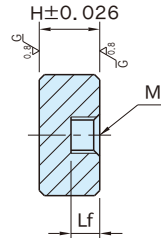
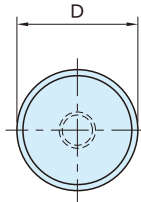
REST PADS



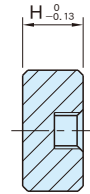
SRP
(Steel)



DRP
(Plastic)



SRP
(Steel)



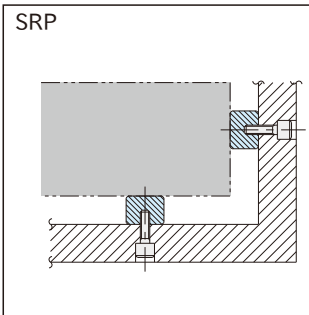
DRP
(Plastic)

Type	Body
SRP	Steel(SNCM220) Carburized-hardened Black oxide finish Heat treated to Rc60
DRP	Polycetal plastic White

Steel		Plastic		D ($-\begin{smallmatrix} 0 \\ -0.13 \end{smallmatrix}$)	H	M	Lf
Part Number	Weight(g)	Part Number	Weight(g)				
SRP-100	5	DRP-100	1	10	10 12	M5×0.8	5
SRP-120	8	DRP-120	2	12			
SRP-122	10	DRP-122	3	16			6.4
SRP-160	15	DRP-160	4	20	10	M6×1	5
SRP-200	23	DRP-200	5	25			
SRP-250	37	DRP-250	7				

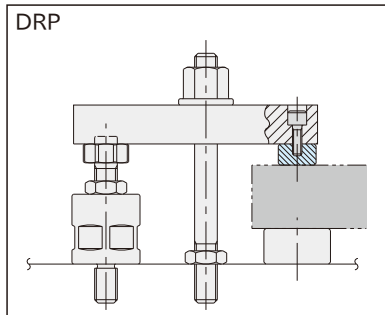
Application Example

SRP



Workpiece positioning

DRP



Protecting a soft or precision ground workpiece.