

SDP-02

DIGITAL POSITION INDICATORS



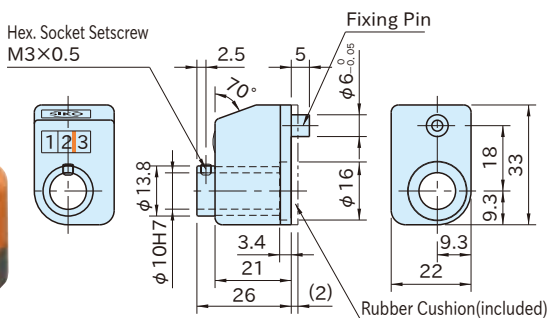
SDP-02H
(Style H)



SDP-02V
(Style V)



SDP-02F
(Style F)



Note : The flat-end fixing pin can not work to mark a fixing point.

Housing
Polyamide (nylon 6) plastic
Orange

Features

- Lightweight and extra-compact.
- Shaft-hole diameter : 10mm
- Displayed figure height : 4mm

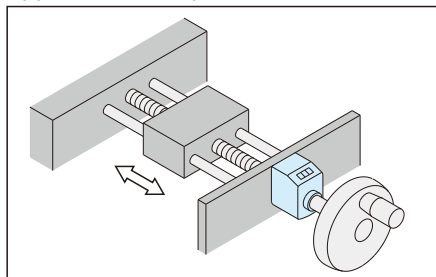
Furnished With

Rubber Cushion

How To Use

- 1 Stick the rubber cushion to the back of the indicator.
- 2 Drill a fixing-pin hole in the mounting wall, 18mm above the shaft center.
- 3 Slide the indicator onto the shaft to the mounting wall and then tighten the setscrew.

Application Example



Notes

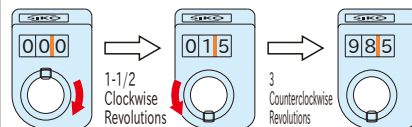
- Ensure that the start-up revolution speed is 1/3 or less of the allowable revolution speed.
- Do not give rapid acceleration or sudden stop.
- These position indicators can not be used in applications where the shaft moves in the axial direction.

Technical Information

Working temperature : Up to 80°C

Display Example

SDP-02FR-1B



SDP-02FL-1.75A On Request

