

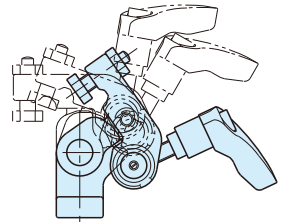
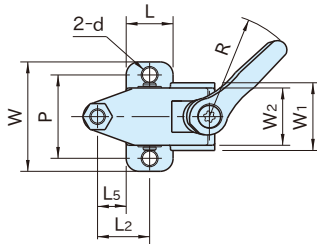
# QLRE

# RETRACTABLE CLAMPS(Mini) WITH ADJUSTABLE HANDLE

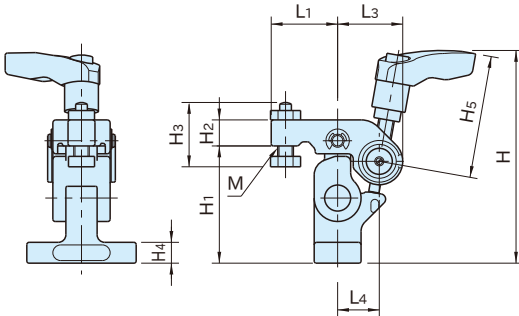


Body/Spindle	Arm/Joint
Steel(S45C)	Steel(SCM435)
Quenched and tempered	Quenched and tempered
Black oxide finish	Black oxide finish

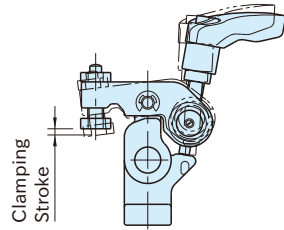
- Screw clamping mechanism allows for longer clamping stroke and greater clamping force.



Unclamped



Clamping Position



Clamping Throw

