

# QCSQ

## SLIDING LOCKS FOR SQUARE BAR



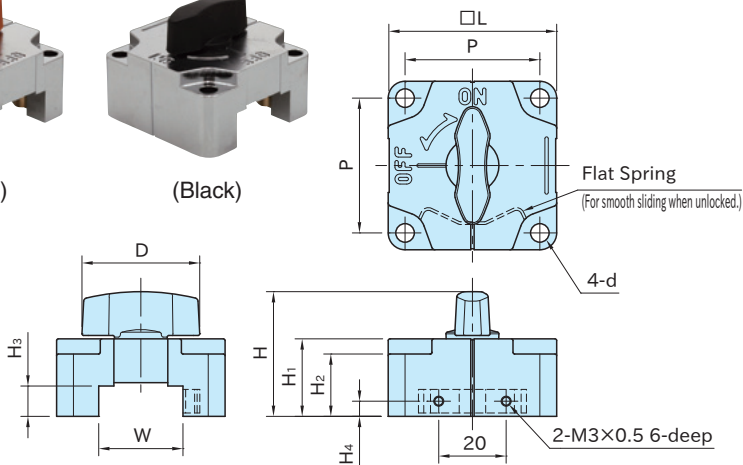
Body	Knob	Shafts / Wedge	Flat Spring
Die-cast zinc Chrome plated	Polyamide (glass-fiber reinforced)	Stainless steel	C519P phosphor bronze



(Orange)



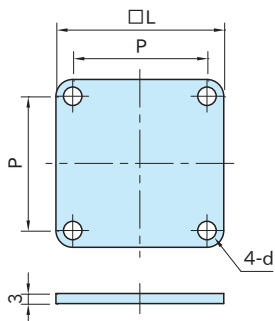
(Black)



Part Number		L	H	W ( <sup>+0.05</sup> <sub>0</sub> )	H <sub>3</sub> ( <sup>+0.2</sup> <sub>0</sub> )	D	H <sub>1</sub>	H <sub>2</sub>	H <sub>4</sub>	P	d	Weight (g)
Orange	Black											
QCSQ1212-OG	QCSQ1212-BK	40	36	12	12	28	22	18.5	6	32	4.5	130
QCSQ1616-OG	QCSQ1616-BK		40	16	16		26	22.5	8			150
QCSQ2509-OG	QCSQ2509-BK	50	37	25	9	35	23	18.5	4.5	40	5.5	220
QCSQ2512-OG	QCSQ2512-BK		40		12		26	21.5	6			240
QCSQ3212-OG	QCSQ3212-BK		32	16	30		25.5	8	220			
QCSQ3216-OG	QCSQ3216-BK		44	16	30		25.5	8	240			

# QCSQSP

## RISER PLATES FOR SLIDING LOCK



Body
SUS304 stainless steel

Part Number	L	d	P	Weight (g)
QCSQSP4003	40	4.5	32	35
QCSQSP5003	50	5.5	40	55